



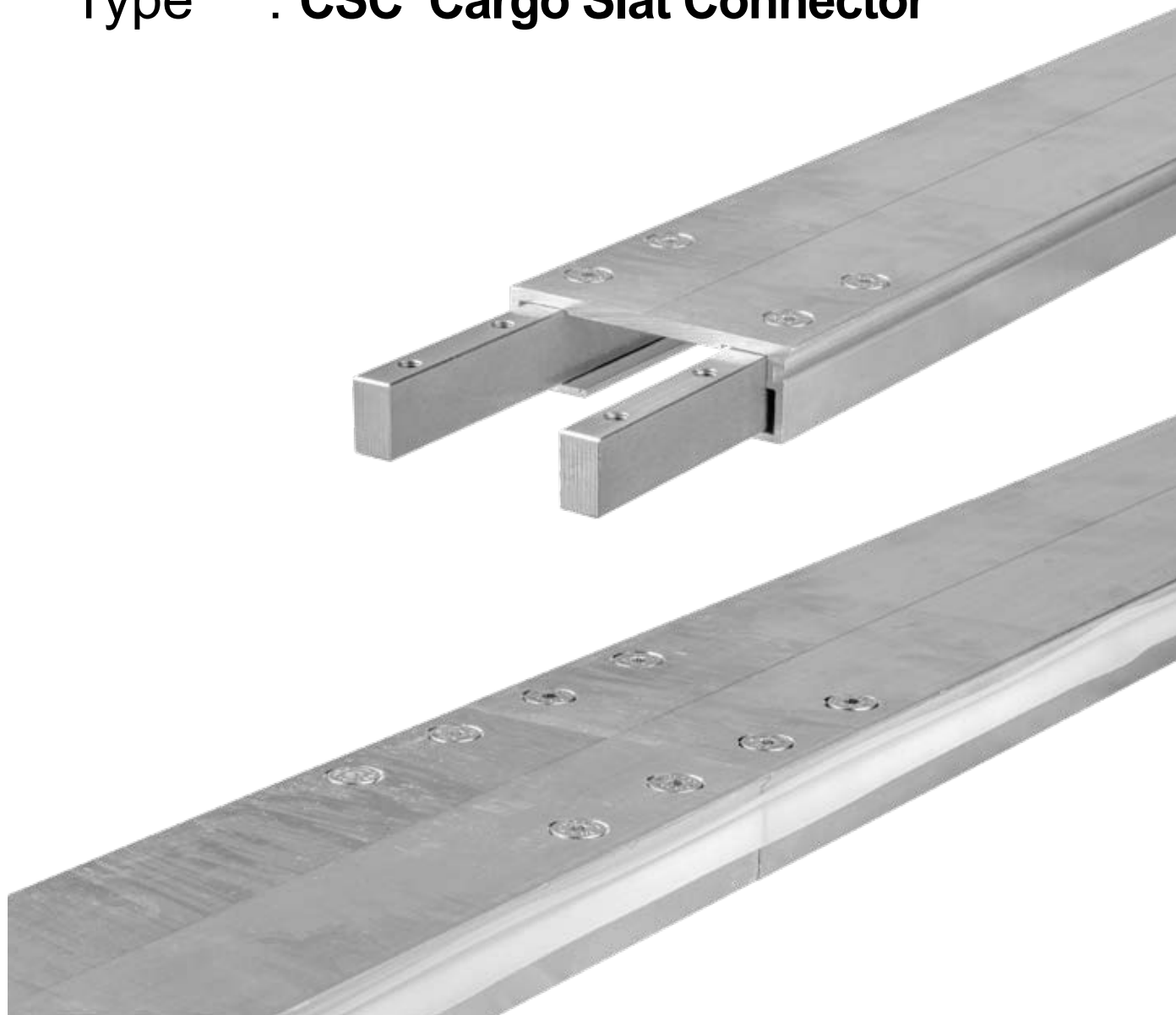
CARGO FLOOR[®]

HORIZONTAL LOADING-/UNLOADING SYSTEM



Subject : **connecting floor profiles**

Type : **CSC 'Cargo Slat Connector'**



**if the length of the floor profiles
becomes a problem**



CSC 'Cargo Slat Connector'

This very simple solution makes it possible to connect two or more Cargo Floor aluminum floor profiles to each other to create one longer floor profile. This can be done with almost all variations of floor profile lengths.

For example: you need 14.800 mm overall length
You can connect a 8.000 mm and a 6.800 mm floor profile
Or you connect two equal floor profiles of 7.400 mm and 7.400 mm

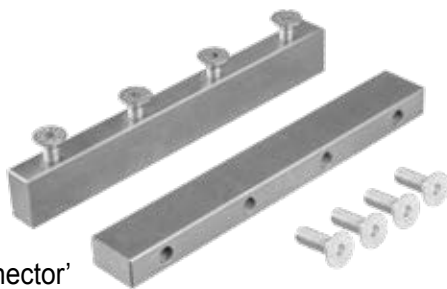
For example: you need 13.300 mm overall length
You can connect a 10.000 mm and a 3.300 mm floor profile
Or you connect two equal floor profiles of 6.650 mm and 6.650 mm

Floor repair savings

With a Cargo Floor moving floor the product is always unloaded (slides/flows) over the rear part of the trailer floor. It will therefore be obvious that most of the wear of the floor profiles will take place there. At the front of the trailer floor wear will be hardly visible. With this Cargo Floor connecting solution, the possibility now exists to only replace a part of the floor (for example only the rear end). You will save on the costs because you don't need a full-length floor and the transportation cost will be less because you don't need the full trailer space.

Advantages

- ✓ Cost saving
- ✓ No welding required
- ✓ No special bearings required
- ✓ Simple to apply
- ✓ Transport of floor profiles overseas in a 20ft or 40ft sea container
- ✓ At any spot of the floor profiles connecting possible.
- ✓ Seal goes fully through the profile, no point of leakage.
- ✓ Repair advantage



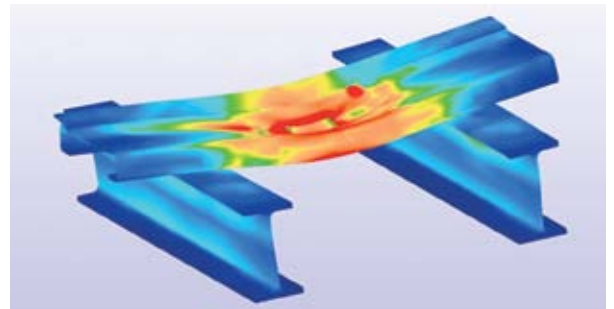
CSC 'Cargo Slat Connector'
strips: part no. 5150022.1 (set)



CSC 'Cargo Slat Connector'
drilling jig: part no. 9111015

FEM (finite element method) + 3-D design

Cargo Floor has inhouse engineering for FEM calculations and 3-D designing. Drawings in all computer extensions available.



CARGO FLOOR®

HORIZONTAL LOADING-/UNLOADINGSYSTEM

Cargo Floor B.V.

Byte 14
7741 MK COEVORDEN
The Netherlands
Telephone +31 524 593 900

www.cargofloor.com
info@cargofloor.com



**WORLDWIDE
SERVICE NETWORK**