

PREPARING THE FLOOR PROFILES AND MOUNT THE FLOOR SEAL

Step 1: Position the floor profiles side by side on some trestles, fig. 1.1. and weld all the aluminum endcaps, fig. 1.2 (alternatively, you can rivet the endcaps with steel rivets, see chapter “mounting the endcaps”).

FIG. 1.1

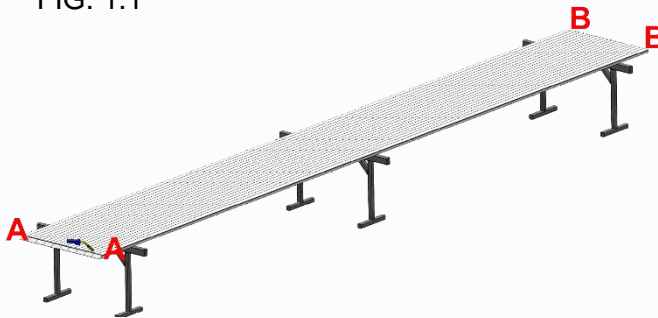
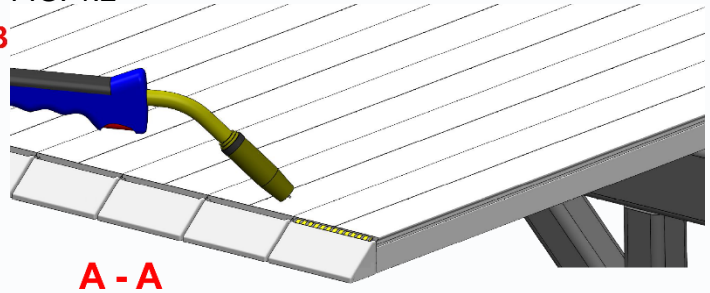


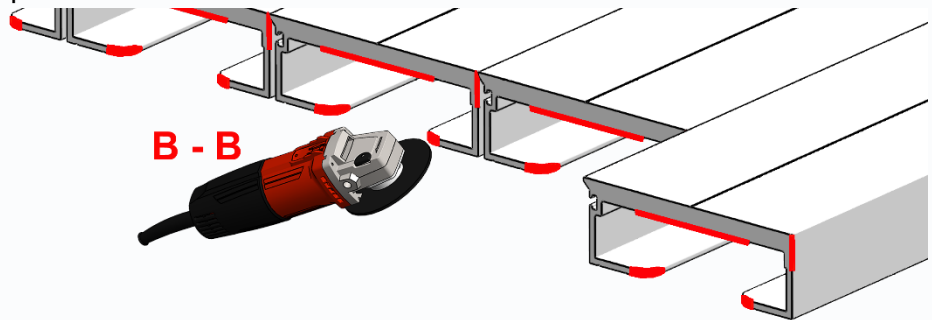
FIG. 1.2



Step 2: Only when you mount the profiles in the trailer by sliding them in horizontally from the rear, we recommend you to round off the front edges of the profile, fig. 2. When you mount the profiles vertically from above you can skip this step.

Only the red spots need to be rounded

FIG. 2



Step 3: Drill the holes in the floor profiles according to chapter “drilling the holes in the floor profiles”.

Step 4: Position the floor profiles vertically sideways – with the grooves positioned upwards - on the trestles, fig 4.1, check if the grooves are clean. Then check position of the seal, fig. 4.2, make sure it's the right way up! Then make a hand handle (fig. 4.3) in the seal by making a simple cut in the rear T of the seal.

FIG. 4.1

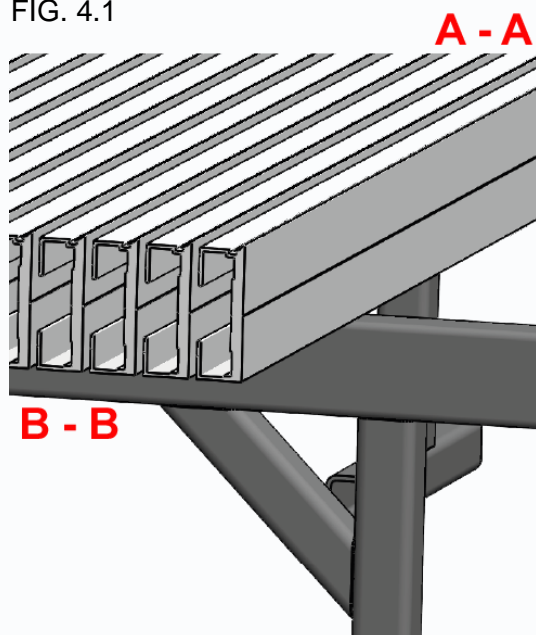


FIG. 4.2

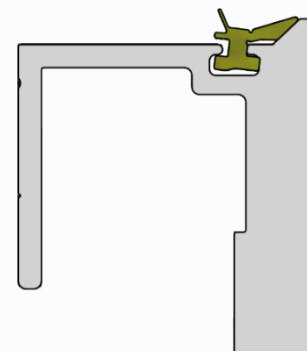
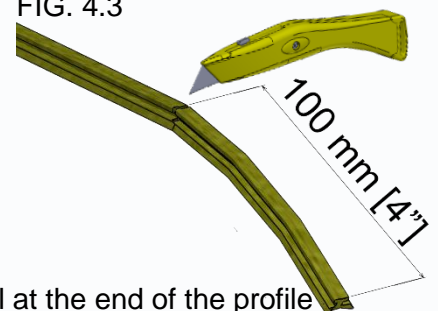
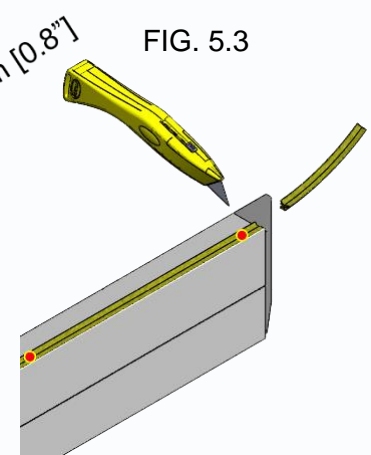
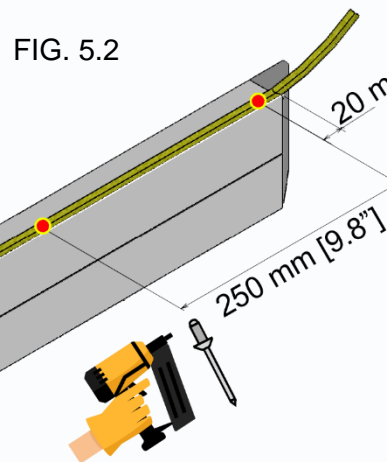
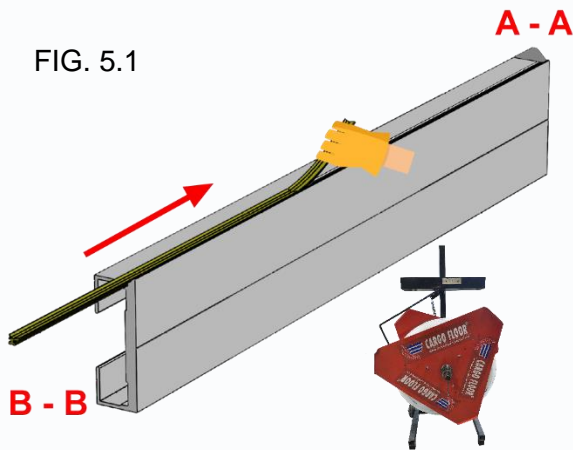


FIG. 4.3

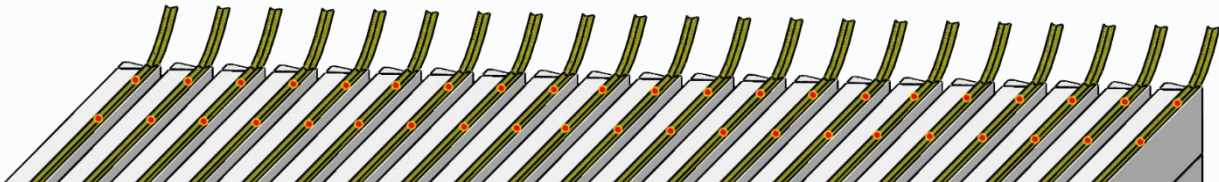


Step 5: Now pull in the seal towards the endcaps (fig. 5.1). Fixate the seal at the end of the profile against the endcap with a nailgun or rivet (2 pcs, fig 5.2). Afterwards cut the handle off (fig 5.3).



Attention!

It might be handy to pull in all the seals in the floor profiles first before fixating them. After this is done you can fixate them in one go.



Step 6: Pull the seal to the right tension, fig 6.1, by stretching it and then push the seal down to block it, next fix the seal with a nailgun or rivet (2 pcs). See figure 6.2.

FIG. 6.1

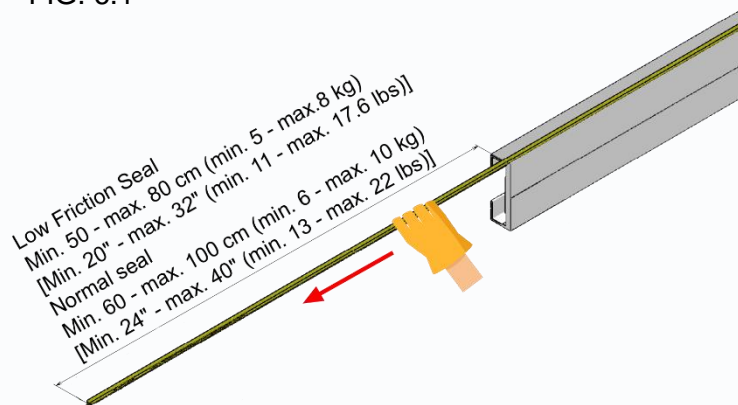
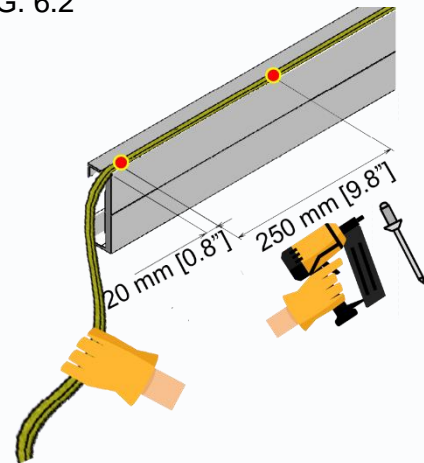



FIG. 6.2



Important remark!

 Low friction seal = min. 500 mm [20"] to max 800 mm [32"] or 5 to 8 Kg [11 to 17.6 lbs].
Normal seal = min. 600 mm [24"] to max 1000 mm [40"] or 6 to 10 Kg [13 to 22 lbs].

Step 7: Cut the seal and the profiles are ready for mounting!

