

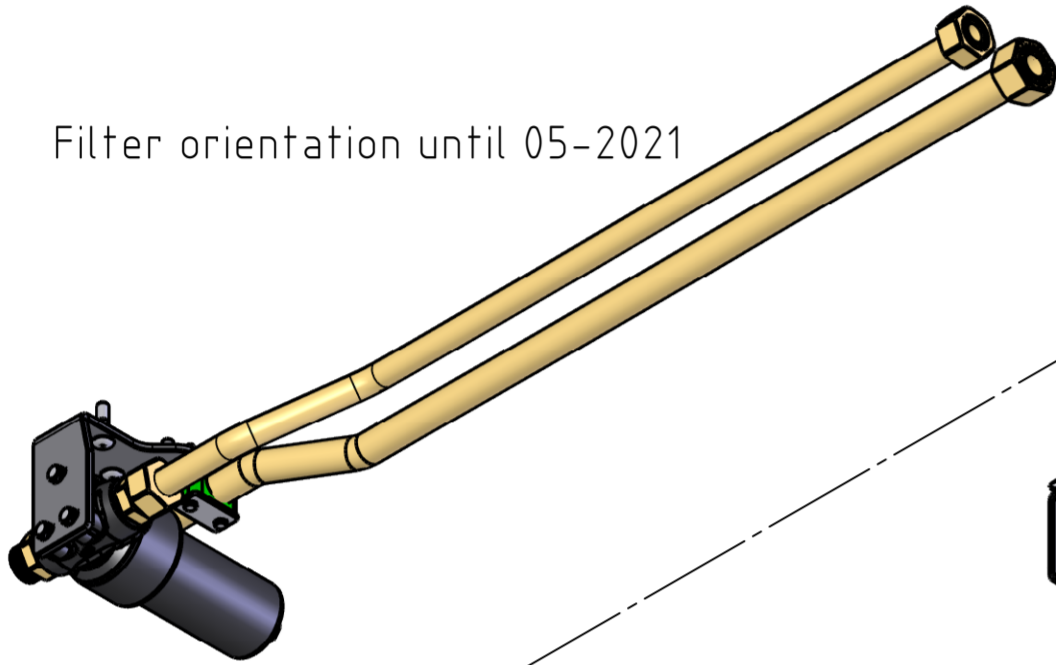
PAGINA PAGE	INHOUDSOPGAVE BENAMING	TABLE OF CONTENTS DESCRIPTION
1	SAMENSTELLING	ASSEMBLY
2	ZUIGERSTANGGELEIDING & CILINDERKLEMMEUGELS	PISTON ROD GUIDANCE & CYLINDER CLAMPING PLATES
3	LEIDINGEN EN FILTERS	PIPING AND FILTERS
4	CILINDER	CYLINDER
5	BESTURINGSVENTIEL "B" BEDIENING	CONTROL VALVE B-OPERATION
6	BESTURINGSVENTIEL "B" BEDIENING	CONTROL VALVE B-OPERATION
7	BESTURINGSVENTIEL "E" BEDIENING	CONTROL VALVE E-OPERATION
8	BESTURINGSVENTIEL "E" BEDIENING	CONTROL VALVE E-OPERATION
9	BESTURINGSVENTIEL "A" BEDIENING	CONTROL VALVE A-OPERATION
10	BESTURINGSVENTIEL "A" BEDIENING	CONTROL VALVE A-OPERATION

**FOR INFORMATION ONLY!**

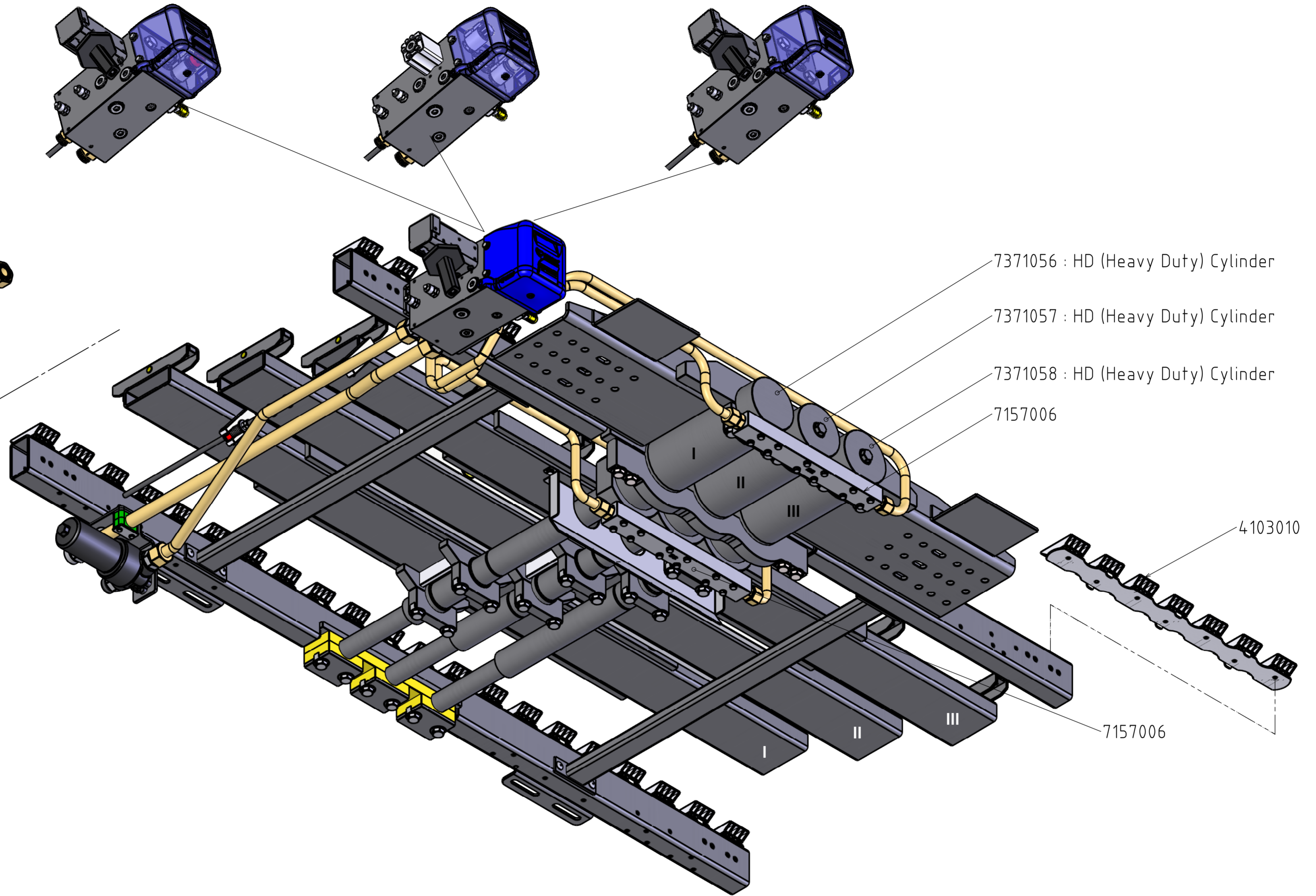
B-valve: Page 5,6

E-valve: Page 7,8

A-valve: Page 9,10



Filter orientation until 05-2021



7371056 : HD (Heavy Duty) Cylinder

7371057 : HD (Heavy Duty) Cylinder

7371058 : HD (Heavy Duty) Cylinder

7157006

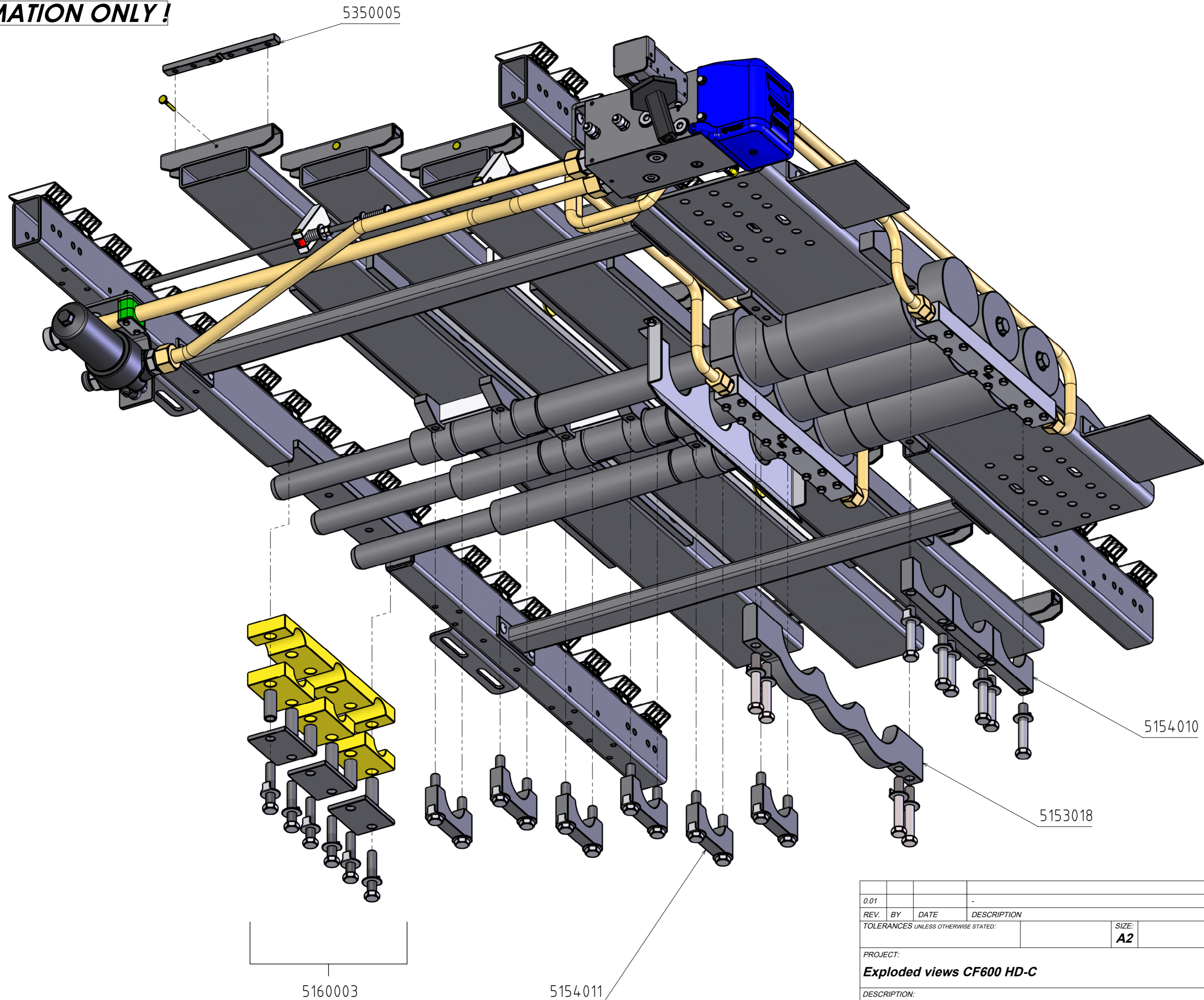
4103010


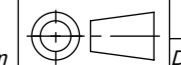
7157006

0.01									
REV.	BY	DATE	DESCRIPTION						
TOLERANCES UNLESS OTHERWISE STATED:								SIZE:	ART. NO.:
								A2	DIMENSIONS: MM (INCH)
PROJECT:								MATERIAL: -	
<b>Exploded views CF600 HD-C</b>								SCALE: - SHEET: 1/1	
DESCRIPTION:								DRAWN: GG-C DR. DATE: 7-12-2021	
<b>Assembly drawing</b>								APR. BY: - APR. DATE: -	
								TREATMENT: NONE	
								CATEGORY:	
								DRAWING NUMBER:	
								<b>EV60000-CF-221</b>	
								DEBURR SHARP EDGES WEIGHT: 527.89 KG	
								PROJECTION:	
Byte 14 NL-7741 MK Coevorden Phone : +31-524-593900 E-mail : info@cargo-floor.com								THIS DRAWING IS THE PROPERTY OF CARGO FLOOR B.V. AND MUST NOT BE COPIED OR REPRODUCED WITHOUT THEIR WRITTEN AUTHORITY (ISO 16016:2016)	


ART. NR. ART. NO.	SAMENSTELLING PAGINA 1 BENAMING	ASSEMBLY PAGE 1 DESCRIPTION	
4103010	Kunststofkam 7/112 H32mm (wit)	Plastic bearing strip 7/112 height 32 mm (white)	
7157006	Common rail CF600 HDC-4.7	Common rail CF600 HDC-4.7	
7371056	Hydraulische cilinder CF600 HDC-4.7 nr. 1 inclusief bevestigingsmateriaal	Hydraulic cylinder CF600 HDC-4.7 no. 1 with fasteningmaterials	
7371057	Hydraulische cilinder CF600 HDC-4.7 nr. 2 inclusief bevestigingsmateriaal	Hydraulic cylinder CF600 HDC-4.7 no. 2 with fasteningmaterials	
7371058	Hydraulische cilinder CF600 HDC-4.7 nr. 3 inclusief bevestigingsmateriaal	Hydraulic cylinder CF600 HDC-4.7 no. 3 with fasteningmaterials	

**FOR INFORMATION ONLY!**



0.01									
REV.	BY	DATE	DESCRIPTION	SIZE:	ART. NO.:				
TOLERANCES UNLESS OTHERWISE STATED:					<b>A2</b>	DIMENSIONS: MM [INCH]			
PROJECT:						MATERIAL: -			
<b>Exploded views CF600 HD-C</b>						SCALE:	-	SHEET:	1/1
DESCRIPTION:						DRAWN:	GG-C	DR. DATE:	7-12-2021
<b>Piston rod guidance &amp; cylinder clamps</b>						APR. BY:	-	APR. DATE:	-
						TREATMENT:	NONE		
						CATEGORY:			
						DRAWING NUMBER:	<b>EV60000-CF-222</b>		
						DEBURR SHARP EDGES	WEIGHT: -		
 <b>CARGO FLOOR®</b> <small>HORISONTALE LADING- en VERHOVENSTELLEN</small>						PROJECTION: 		Byte 14 NL-7741 MK Coevorden Phone : +31-524-593900 E-mail : info@cargo-floor.com	
THIS DRAWING IS THE PROPERTY OF CARGO FLOOR B.V. AND MUST NOT BE COPIED OR REPRODUCED WITHOUT THEIR WRITTEN AUTHORITY (ISO 16016:2016)									

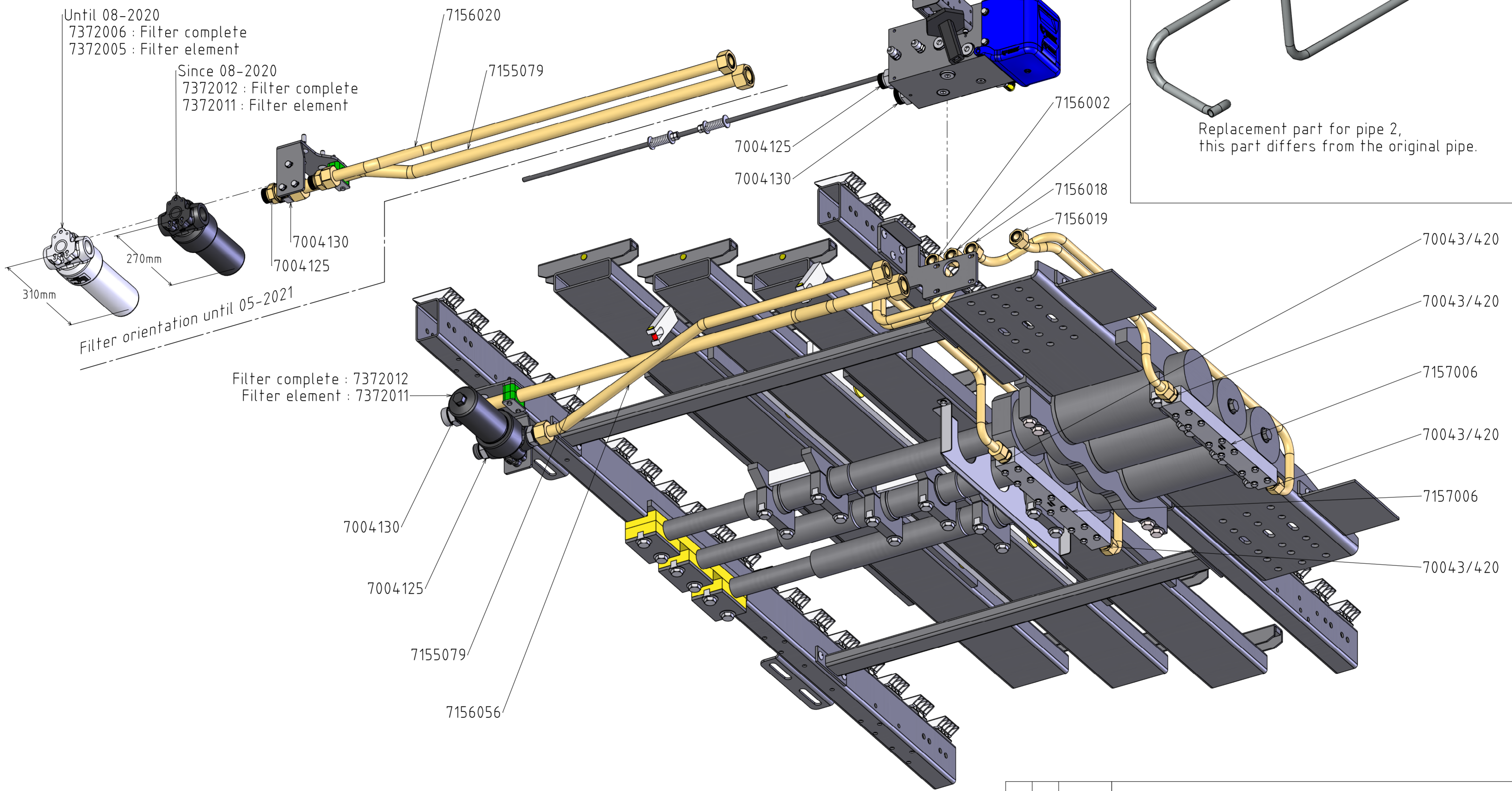
ART. NR. ART. NO.	ZUIGERSTANGGELEIDING & CILINDERKLEMBEUGELS PAGINA 2 BENAMING	PISTON ROD GUIDANCE & CYLINDER CLAMPING PLATES PAGE 2 DESCRIPTION	
5153018	Klembeugel (3-voudig) CF600 HD-C	Clamping plate (triple) CF600 HD-C	
5154010	Klembeugel cilinder (ø94mm) compleet	Clamping plate for cylinder (ø94mm) complete	
5154011	Klembeugel cilindermof (ø74mm) compleet	Clamping plate for cylinder sleeve (ø74mm) complete	
5160003	Cilinderstanggeleidingsset CF300/CF500/CF600 compleet, massieve uitvoering	Set guide blocks for 3 piston rods CF300/CF500/CF600 complete, solid execution	
5350005	Montagestrip (6x M12/240 mm.)	Assembly strip (6x M12/240 mm.)	

 +31 524 593 900

 info@cargofloor.com

 cargofloor.com

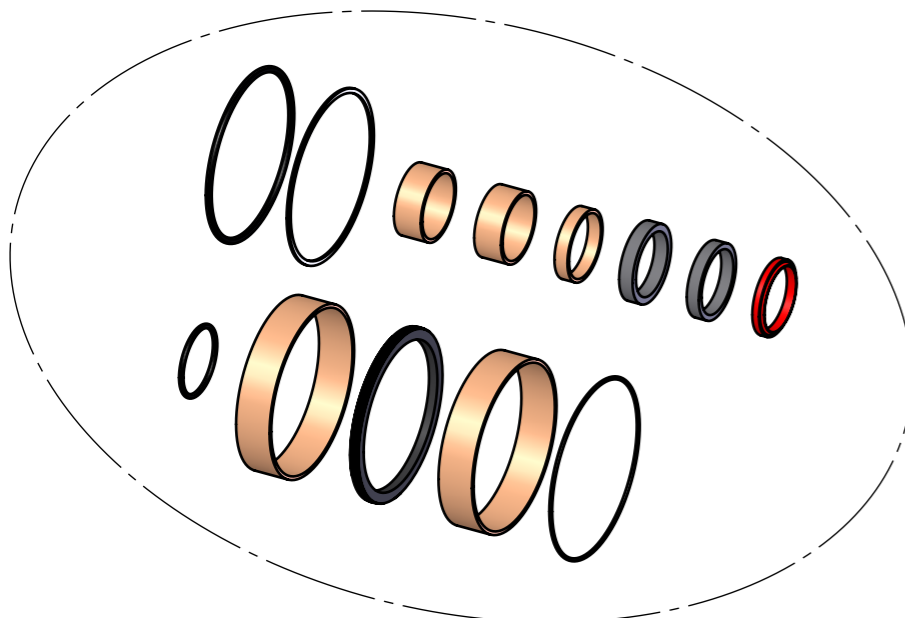
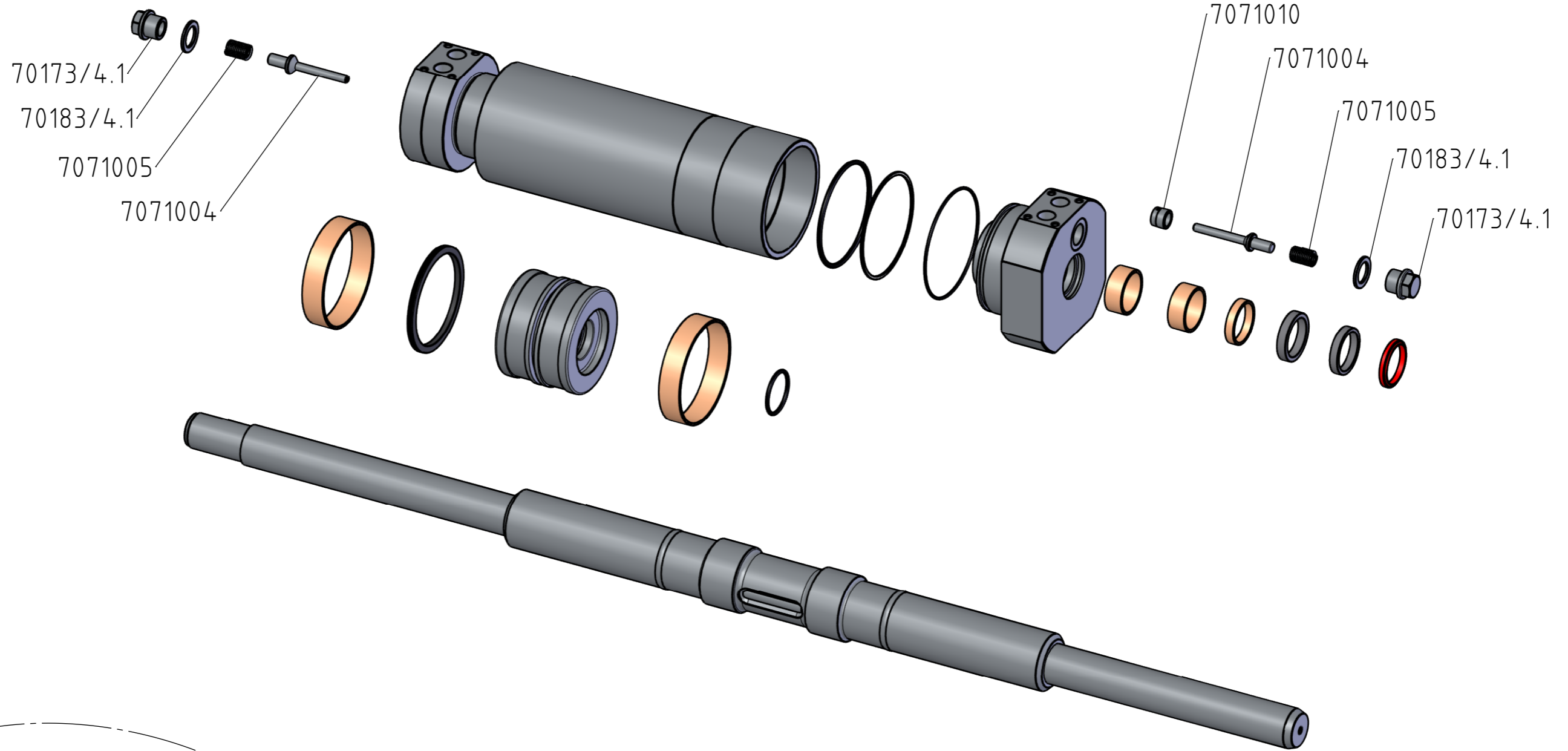
**FOR INFORMATION ONLY!**


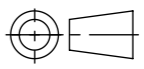


0.01								
REV.	BY	DATE	DESCRIPTION	SIZE:	ART. NO.:			
TOLERANCES UNLESS OTHERWISE STATED:				<b>A2</b>	DIMENSIONS: MM [INCH]			
PROJECT:					MATERIAL:			
<b>Exploded views CF600 HD-C</b>					SCALE:	- SHEET:	1/1	
DESCRIPTION:					DRAWN:	GG-C	DR. DATE:	7-12-2021
<b>Piping &amp; filter</b>					APR. BY:	-	APR. DATE:	-
					TREATMENT:	NONE		
					CATEGORY:			
					DRAWING NUMBER:	<b>EV60000-CF-223</b>		
					DEBURR SHARP EDGES	WEIGHT:	521.22 KG	
					PROJECTION:			
Byte 14 NL-7741 MK Coevorden Phone : +31-524-593900 E-mail : info@cargo-floor.com					THIS DRAWING IS THE PROPERTY OF CARGO FLOOR B.V. AND MUST NOT BE COPIED OR REPRODUCED WITHOUT THEIR WRITTEN AUTHORITY (ISO 16016:2016)			

ART. NR. ART. NO.	LEIDINGEN EN FILTERS PAGINA 3 BENAMING	PIPING AND FILTERS PAGE 3 DESCRIPTION	
7004125	Rechte inschroefkoppeling 1" x 25 mm	Straight screw-in coupling 1" x 25 mm	
7004130	Rechte inschroefkoppeling 1" x 30 mm.	Straight screw-in coupling 1" x 30 mm.	
7155079	Hydraulische leiding nr. 6PS (besturingsventiel 02)	Hydraulic pipe no. 6PS (control valve 02)	
7156001	Hydraulische leiding nr. 2 (besturingsventiel 02) compleet	Hydraulic pipe no. 2 (control valve 02) complete	
7156002	Hydraulische leiding nr. 3 (besturingsventiel 02) compleet	Hydraulic pipe no. 3 (control valve 02) complete	
7156018	Hydraulische leiding nr. 1 (besturingsventiel 02/CF600) compleet	Hydraulic pipe no. 1 (control valve 02/CF600) complete	
7156019	Hydraulische leiding 4 (besturingsventiel 02/CF600) compleet	Hydraulic pipe no. 4 (control valve 02/CF600) complete	
7156020	Hydraulische leiding 5 (besturingsventiel 02/CF600) compleet	Hydraulic pipe no. 5 (control valve 02/CF600) complete	
7156056	Leiding 5 (besturingsventiel 02) - gedraaid filter (CF600)	Hydraulic pipe no. 5 (control valve 02), for turned filter (CF600)	
7157006	Common rail CF600 HDC-4.7	Common rail CF600 HDC-4.7	
7372005	CF persfilterelement (04/2005 - 08/2020)	CF Pressure filter element (04/2005 - 08/2020)	
7372006	Filterset Cargo Floor - compleet (04/2005 - 08/2020)	Filterset Cargo Floor complete (04/2005 - 08/2020)	
7372011	CF persfilterelement QP (08/2020 - ...)	CF Pressure filter element QP (08/2020 - ...)	
7372012	CF persfilterset compleet QP (08/2020 - ...)	CF Pressure filterset complete QP (08/2020 - ...)	
70043/420	Rechte inschroefkoppeling 3/4" x 20 mm.	Straight screw-in coupling 3/4" x 20 mm.	

**FOR INFORMATION ONLY!**

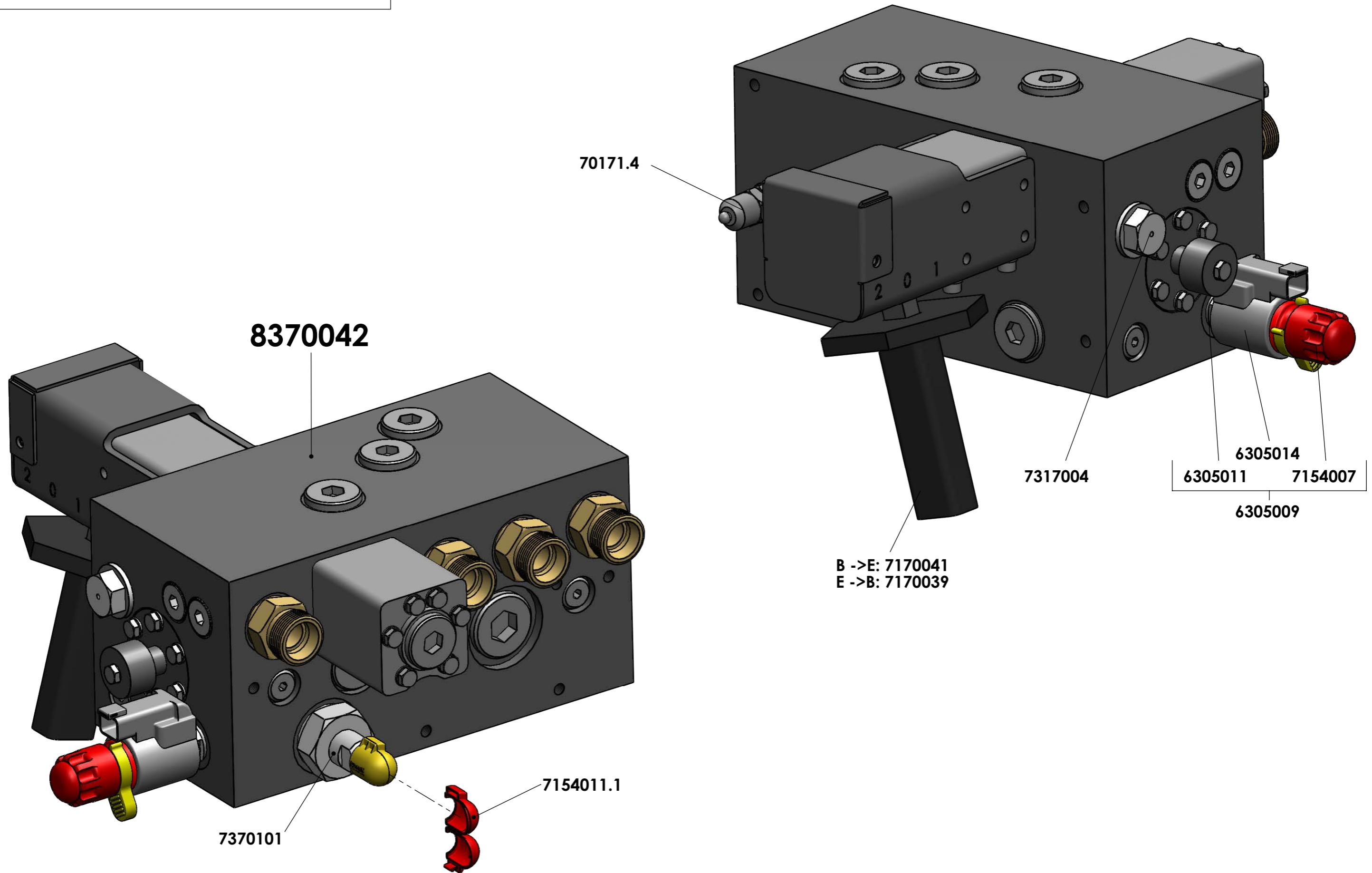


0.01									
REV.	BY	DATE	DESCRIPTION						
TOLERANCES UNLESS OTHERWISE STATED:							SIZE:	ART. NO.:	
							<b>A3</b>		
PROJECT:							DIMENSIONS: MM [INCH]		
<b>Exploded views CF600 HD-C</b>							MATERIAL: -		
DESCRIPTION:							SCALE: 1:5	SHEET: 1/1	
<b>Cylinder</b>							DRAWN: GG-C	DR. DATE: 14-6-2022	
							APR. BY: -	APR. DATE: -	
							TREATMENT:		
							CATEGORY:		
							DRAWING NUMBER:		
							<b>EV60000-CF-224</b>		
							DEBURR SHARP EDGES	WEIGHT: 59.78 KG	
 Byte 14 NL-7741 MK Coevorden Phone : +31-524-593900 E-mail : info@cargofloor.com									
PROJECTION: 									
THIS DRAWING IS THE PROPERTY OF CARGO FLOOR B.V. AND MUST NOT BE COPIED OR REPRODUCED WITHOUT THEIR WRITTEN AUTHORITY (ISO 16016:2016)									



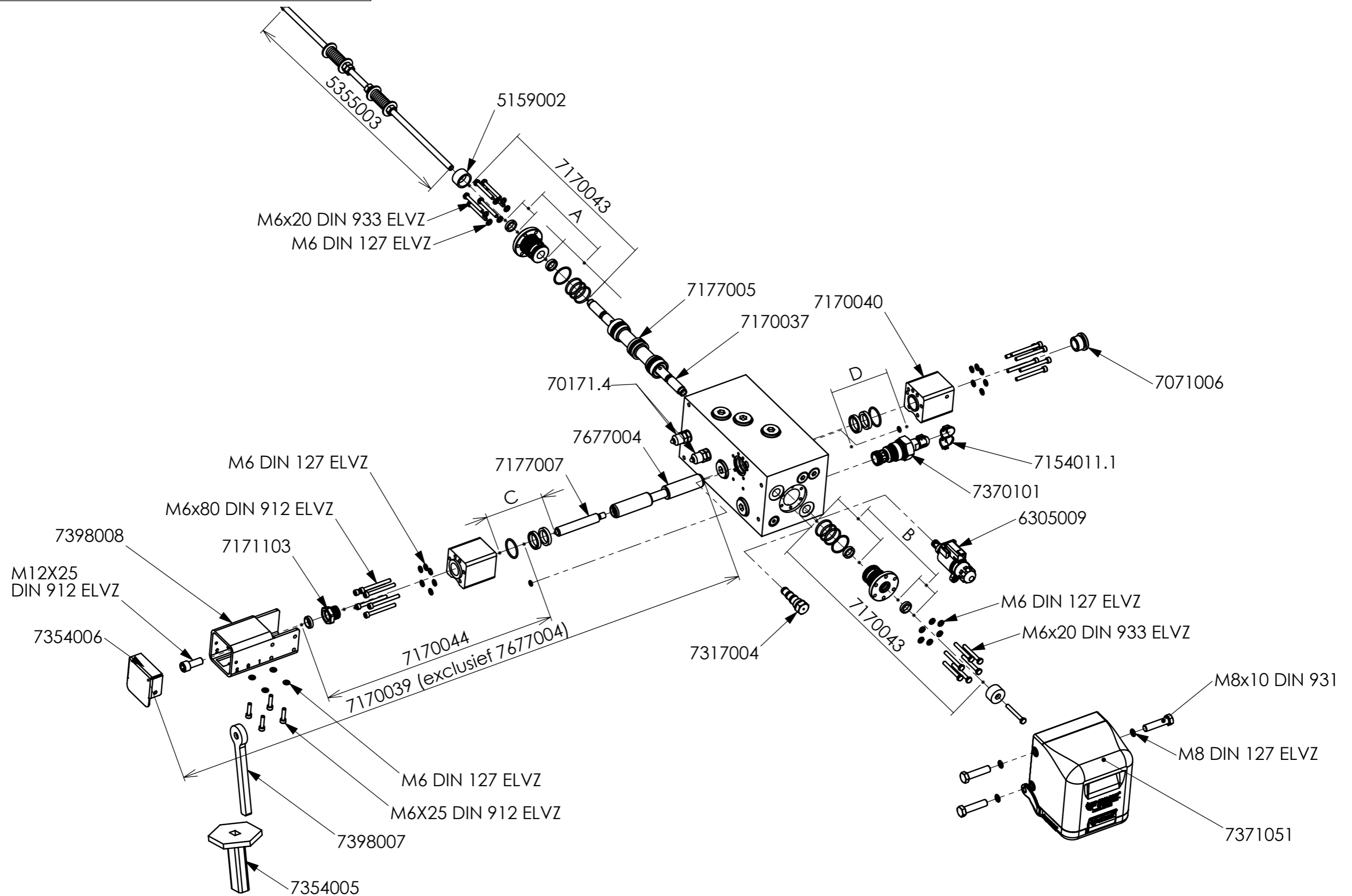
ART. NR. ART. NO.	CILINDER PAGINA 4 BENAMING	CYLINDER PAGE 4 DESCRIPTION	
7071004	Klep cilinder	Valve for cylinder	
7071005	Veer voor terugslagklep cilinder (standaard, L.=45 mm)	Spring for check valve cylinder (standard, L.=45 mm)	
7071010	klepzitting cilinder (voldraad)	Valve seat cylinder (full thread)	
70173/4.1	Kraagplug 3/4 (hol)	Plug 3/4 for valve spring (hollow)	
70183/4.1	Bonded seal 3/4" (afgedraaid)	Bonded seal 3/4 (machined)	
7376011	Afdichtingset cilinder (CF600)	Seals for cylinder (CF600)	

**FOR INFORMATION ONLY !**



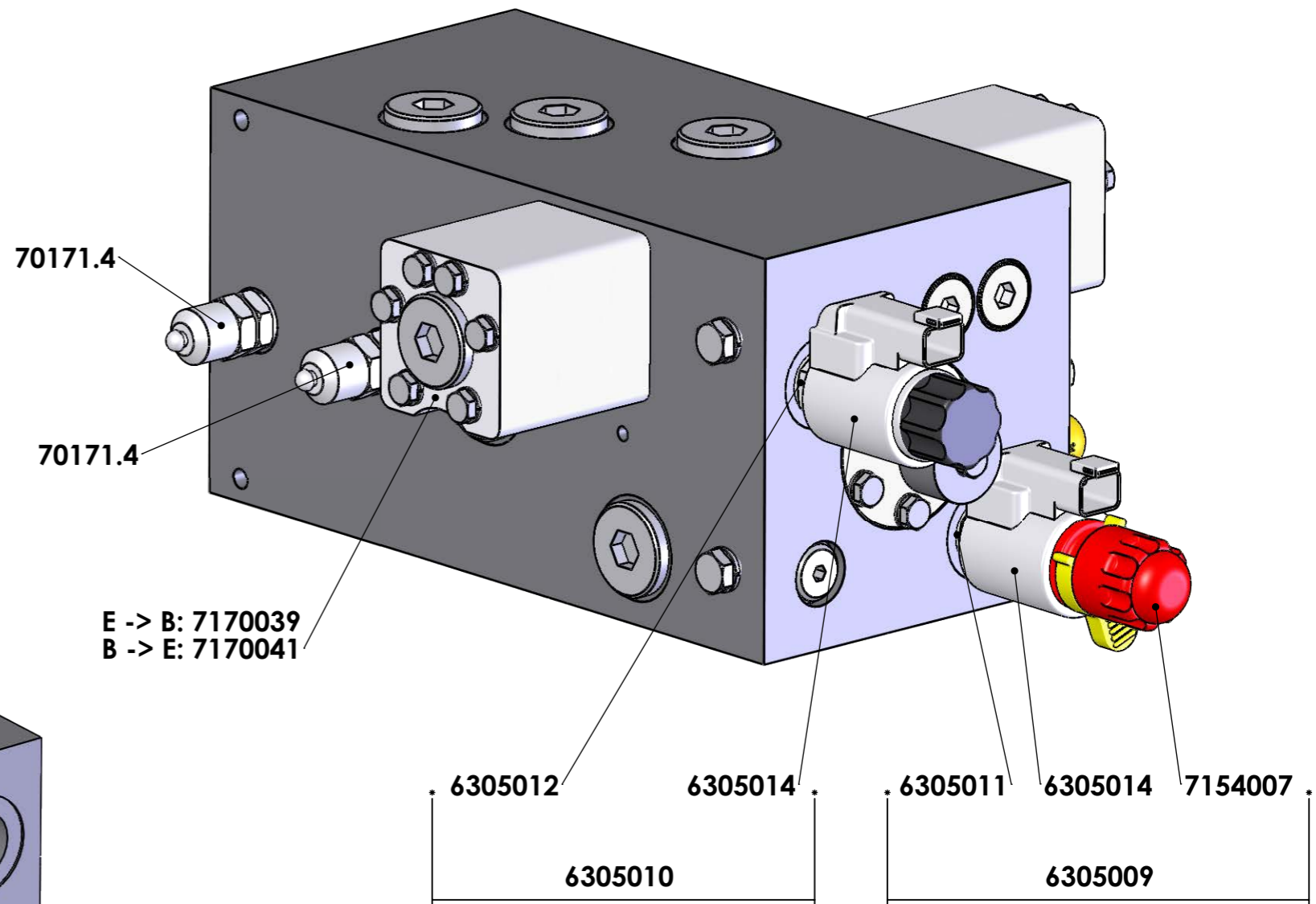
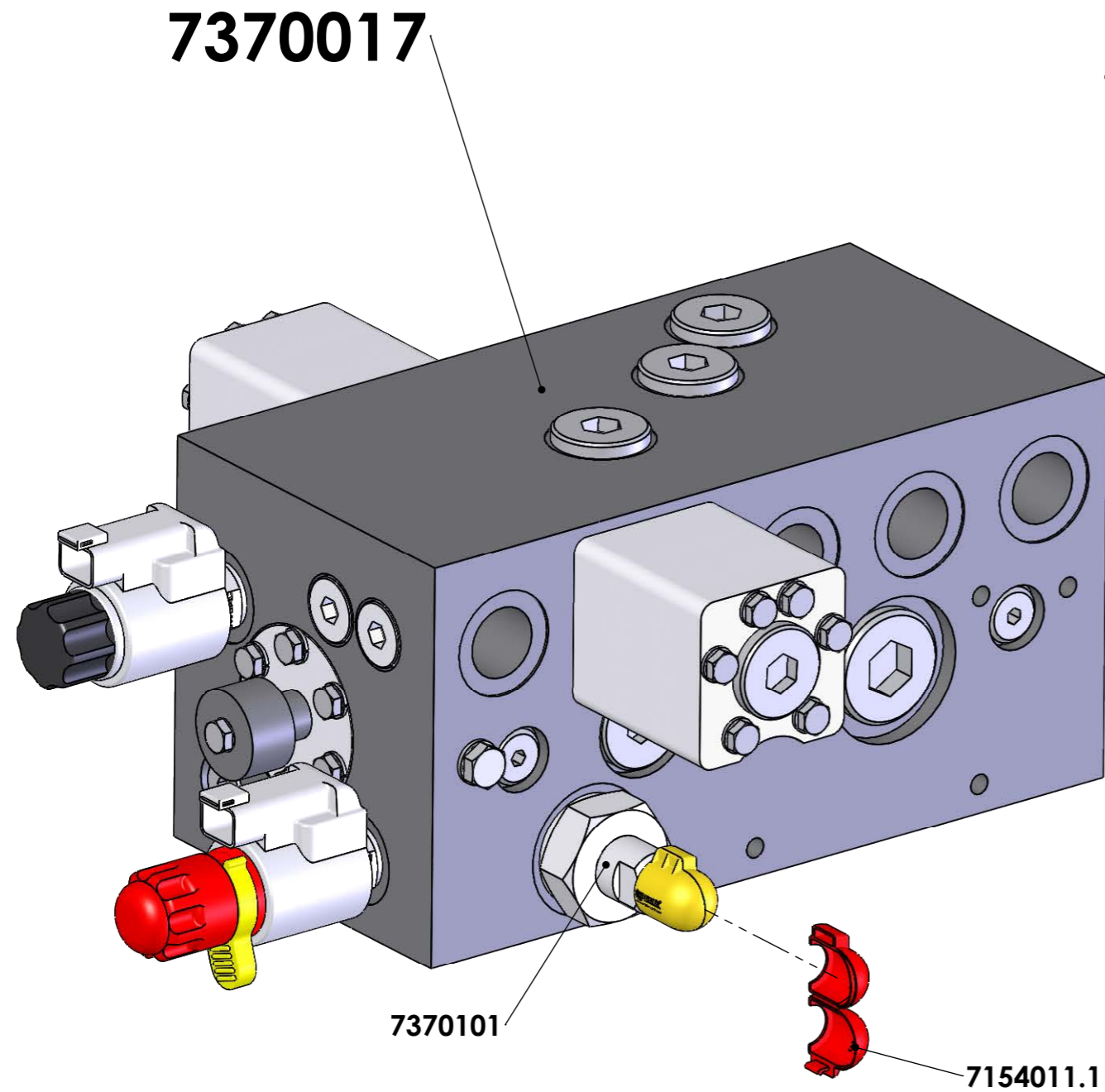
ART. NR. ART. NO.	BESTURINGSVENTIEL "B" BEDIENING PAGINA 5 BENAMING	CONTROL VALVE B-OPERATION PAGE 5 DESCRIPTION	
6305009	Magneet + stift 24V Cargo Floor (GS02) (inc. rode noodbediening)	Cartridge + solenoid 24 V. Cargo Floor (GS02) (incl. red emergency control)	
6305011	Stift Cargo Floor (GS02)	Cartridge Cargo Floor (GS02)	
6305014	Magneet Cargo Floor G(+GS)02 24V	Solenoid Cargo Floor G(+GS)02 24V	
7154007	Kunststof noodhandbediening GS02	Plastic emergency manual control GS02	
7154011.1	Zegeldop voor DB ventiel (rood) – spare part	Seal cap for pressure safety valve (red) - spare part	
7170039	Ombouwset besturingsventiel E->B inclusief arretering	Modification kit control valve E->B including detent	
7170041	Ombouwset besturingsventiel B->E	Modification kit control valve B->E	
7317004	Plug G02 t.b.v. B-bediening	Plug G02 for B-control	
7370101	Drukstift drukbegrenzingsventiel	Pressure cartridge pressure control valve	
8370042	Besturingsventiel 02 B-bediend (compleet)	Control valve 02 B-operation (complete)	
70171.4	Minimess plug (0-225 Bar)	Minimess plug (0-225 Bar)	

**FOR INFORMATION ONLY!**

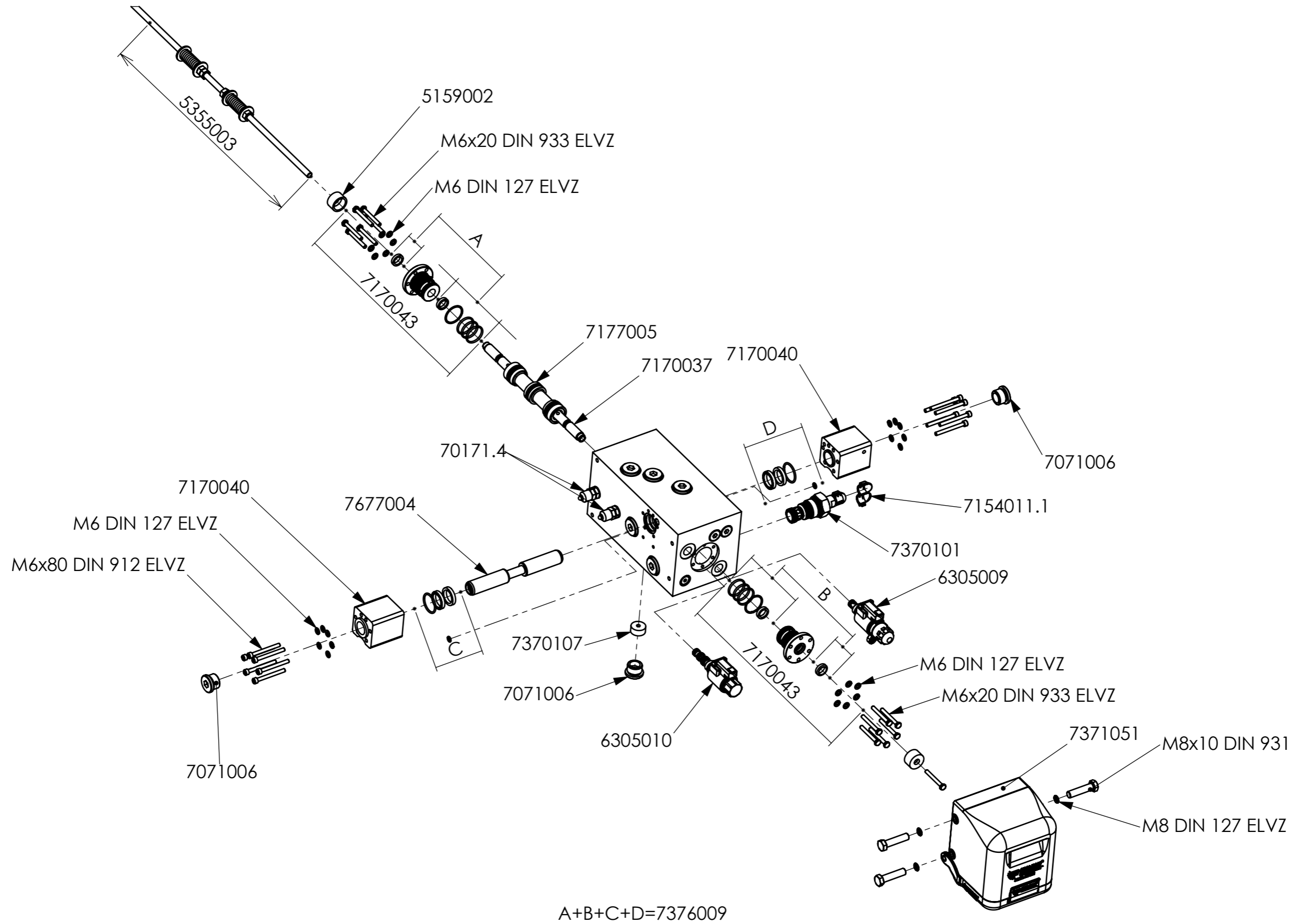


ART. NR. ART. NO.	BESTURINGSVENTIEL "B" BEDIENING PAGINA 6 BENAMING	CONTROL VALVE B-OPERATION PAGE 6 DESCRIPTION	
5159002	Afstandsring rond 30 (omschakelventiel)	Distance ring round 30 (switching valve)	
5355003	Draadstang compleet (1000 mm.)	Threaded rod complete (1000 mm. [39.4"])	
6305009	Magneet + stift 24V Cargo Floor (GS02) (inc. rode noodbediening)	Cartridge + solenoid 24 V. Cargo Floor (GS02) (incl. red emergency control)	
7071006	Inbus kraagplug 3/4 incl. dichting	socket plug 3/4" with O-ring	
7154011.1	Zegeldop voor DB ventiel (rood) – spare part	Seal cap for pressure safety valve (red) - spare part	
7170037	Voorstuur omschakelplunjer L.= 306 mm. / D.= 16 mm compleet	Pre-steering switching plunger L.= 306 mm. [12"] / D.= 16 mm. [0.6"] complete	
7170039	Ombouwset besturingsventiel E->B inclusief arretering	Modification kit control valve E->B including detent	
7170040	Deksel Bedienplunjer besturingsventiel 02 compleet	Head for operation plunger housing control valve 02 complete	
7170043	Deksel Omschakelplunjer besturingsventiel 02 compleet	Cover for switching piston control valve 02 complete	
7170044	Deksel bedienplunjer besturingsventiel 02 (arretering) compleet	Head for operation plunger housing control valve 02 (detent) complete	
7171103	Bronzen bus (B-bediening) incl. afstrijker	Bronze bush (B-operation)	
7177005	Plunjer omschakel L.= 146 mm / D.= 35 mm compleet	Switching plunger L.=146 mm. [5.7"] / D.= 35 mm. [1.4"] complete	
7177007	Koppelstang B-bediening ø16 (M10/M12) compleet	Connection rod B-operation ø16 (M10/M12) complete	
7317004	Plug G02 t.b.v. B-bediening	Plug G02 for B-control	
7354005	Handvat (rubber)	Handle (rubber)	
7354006	Stalen dop 70x70	Steel cap 70x70	
7370101	Drukstift drukbegrenzingsventiel	Pressure cartridge pressure control valve	
7371051	Beschermkap besturingsventiel 02 (compleet)	Cover for control valve 02 (complete)	
7376009	Afdichtingset besturingsventiel 02 compleet	Seals for control valve 02 complete	
7398007	Hendel oog (besturingsventiel 02)	Control handle eye (control valve 02)	
7398008	Koker met S-arretering (besturingsventiel 02)	Tube with S-detent (control valve 02)	
7677004	Bedienplunjer L.= 195 mm. / D.= 25 mm. compleet	Operation plunger L.= 195 mm. / D.= 25 mm. complete	
70171.4	Minimess plug (0-225 Bar)	Minimess plug (0-225 Bar)	

**FOR INFORMATION ONLY !**



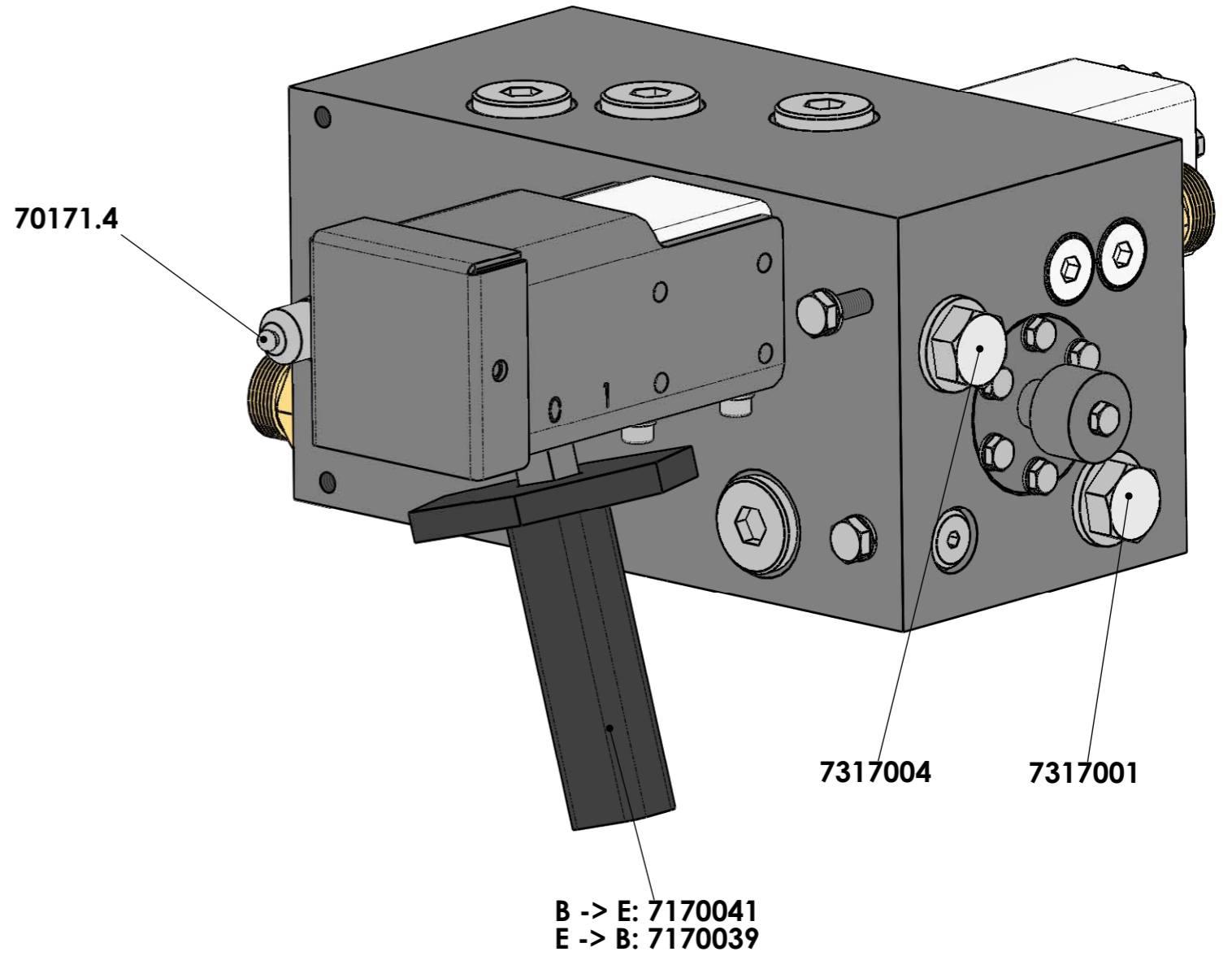
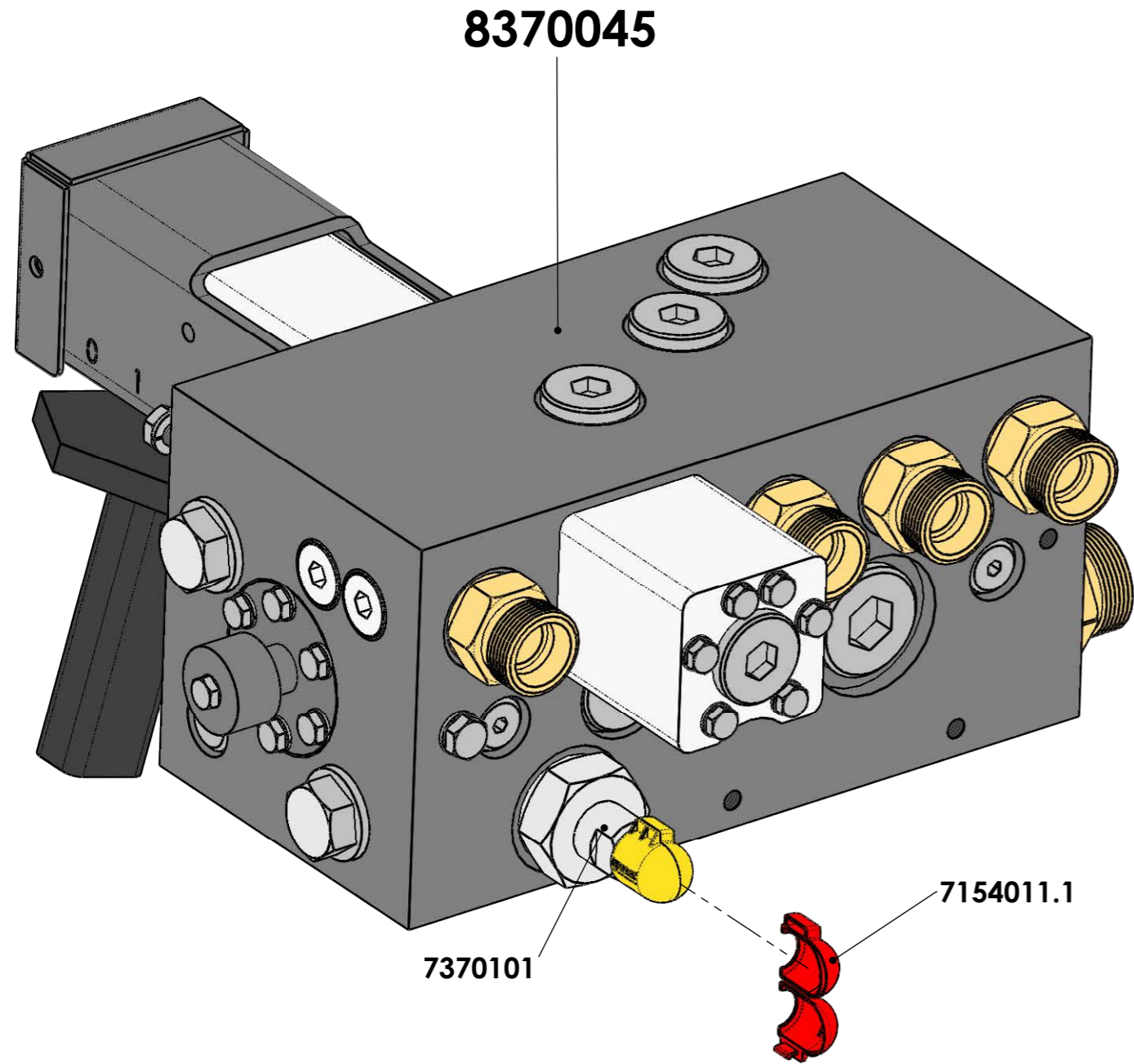
ART. NR. ART. NO.	BESTURINGSVENTIEL "E" BEDIENING PAGINA 7 BENAMING	CONTROL VALVE E-OPERATION PAGE 7 DESCRIPTION	
6305009	Magneet + stift 24V Cargo Floor (GS02) (incl. rode noodbediening)	Cartridge + solenoid 24 V. Cargo Floor (GS02) (incl. red emergency control)	
6305010	Magneet + stift 24V Cargo Floor (G02)	Cartridge + solenoid 24 V. Cargo Floor (G02)	
6305011	Stift Cargo Floor (GS02)	Cartridge Cargo Floor (GS02)	
6305012	Stift Cargo Floor (G02)	Cartridge Cargo Floor (G02)	
6305014	Magneet Cargo Floor G(+GS)02 24V	Solenoid Cargo Floor G(+GS)02 24V	
7154007	Kunststof noodhandbediening GS02	Plastic emergency manual control GS02	
7154011.1	Zegeldop voor DB ventiel (rood) – spare part	Seal cap for pressure safety valve (red) - spare part	
7170039	Ombouwset besturingsventiel E->B inclusief arretering	Modification kit control valve E->B including detent	
7170041	Ombouwset besturingsventiel B->E	Modification kit control valve B->E	
7370017	Besturingsventiel 02 E-bediend (compleet)	Control valve 02 E-operation (complete)	
7370101	Drukstift drukbegrenzingsventiel	Pressure cartridge pressure control valve	
70171.4	Minimess plug (0-225 Bar)	Minimess plug (0-225 Bar)	





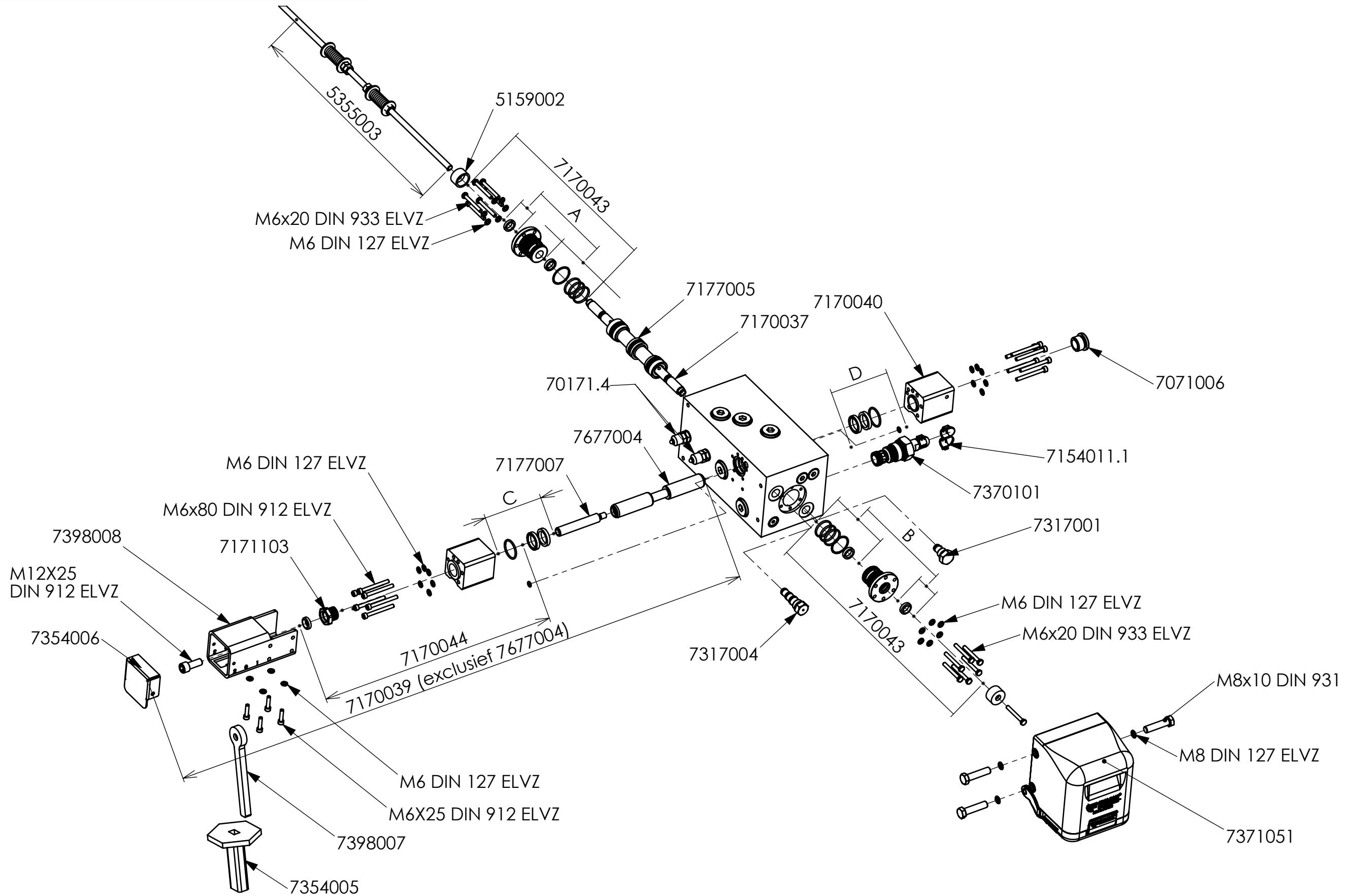
ART. NR. ART. NO.	BESTURINGSVENTIEL "E" BEDIENING PAGINA 8 BENAMING	CONTROL VALVE E-OPERATION PAGE 8 DESCRIPTION	
5159002	Afstandsring rond 30 (omschakelventiel)	Distance ring round 30 (switching valve)	
5355003	Draadstang compleet (1000 mm.)	Threaded rod complete (1000 mm. [39.4"])	
6305009	Magneet + stift 24V Cargo Floor (GS02) (inc. rode noodbediening)	Cartridge + solenoid 24 V. Cargo Floor (GS02) (incl. red emergency control)	
6305010	Magneet + stift 24V Cargo Floor (G02)	Cartridge + solenoid 24 V. Cargo Floor (G02)	
7071006	Inbus kraagplug 3/4 incl. dichting	socket plug 3/4" with O-ring	
7154011.1	Zegeldop voor DB ventiel (rood) – spare part	Seal cap for pressure safety valve (red) - spare part	
7170037	Voorstuur omschakelplunjer L.= 306 mm. / D.= 16 mm compleet	Pre-steering switching plunger L.= 306 mm. [12"] / D.= 16 mm. [0.6"] complete	
7170040	Deksel Bedienplunjer besturingsventiel 02 compleet	Head for operation plunger housing control valve 02 complete	
7170043	Deksel Omschakelplunjer besturingsventiel 02 compleet	Cover for switching piston control valve 02 complete	
7177005	Plunjer omschakel L.= 146 mm / D.= 35 mm compleet	Switching plunger L.=146 mm. [5.7"] / D.= 35 mm. [1.4"] complete	
7370101	Drukstift drukbegrenzingsventiel	Pressure cartridge pressure control valve	
7370107	Drossel ø6.5 mm (besturingsventiel 02)	Choke ø6.5 mm (control valve 02)	
7371051	Beschermkap besturingsventiel 02 (compleet)	Cover for control valve 02 (complete)	
7376009	Afdichtingset besturingsventiel 02 compleet	Seals for control valve 02 complete	
7677004	Bedienplunjer L.= 195 mm. / D.= 25 mm. compleet	Operation plunger L.= 195 mm. / D.= 25 mm. complete	
70171.4	Minimess plug (0-225 Bar)	Minimess plug (0-225 Bar)	

**FOR INFORMATION ONLY !**



ART. NR. ART. NO.	BESTURINGSVENTIEL "A" BEDIENING PAGINA 9 BENAMING	CONTROL VALVE A-OPERATION PAGE 9 DESCRIPTION	
7154011.1	Zegeldop voor DB ventiel (rood) – spare part	Seal cap for pressure safety valve (red) - spare part	
7170039	Ombouwset besturingsventiel E->B inclusief arretering	Modification kit control valve E->B including detent	
7170041	Ombouwset besturingsventiel B->E	Modification kit control valve B->E	
7317001	A-plug	Plug A	
7317004	Plug G02 t.b.v. B-bediening	Plug G02 for B-control	
7370101	Drukstift drukkbezigingsventiel	Pressure cartridge pressure control valve	
8370045	Besturingsventiel 02 A-bediend (compleet)	Control valve 02 A-operation (complete)	
70171.4	Minimess plug (0-225 Bar)	Minimess plug (0-225 Bar)	

# FOR INFORMATION ONLY!



A+B+C+D=7376009

ART. NR. ART. NO.	BESTURINGSVENTIEL "A" BEDIENING PAGINA 10 BENAMING	CONTROL VALVE A-OPERATION PAGE 10 DESCRIPTION	
5159002	Afstandsring rond 30 (omschakelventiel)	Distance ring round 30 (switching valve)	
5355003	Draadstang compleet (1000 mm.)	Threaded rod complete (1000 mm. [39.4"])	
7071006	Inbus kraagplug 3/4 incl. dichting	socket plug 3/4" with O-ring	
7154011.1	Zegeldop voor DB ventiel (rood) – spare part	Seal cap for pressure safety valve (red) - spare part	
7170037	Voorstuur omschakelplunjer L.= 306 mm. / D.= 16 mm compleet	Pre-steering switching plunger L.= 306 mm. [12"] / D.= 16 mm. [0.6"] complete	
7170039	Ombouwset besturingsventiel E->B inclusief arretering	Modification kit control valve E->B including detent	
7170040	Deksel Bedienplunjer besturingsventiel 02 compleet	Head for operation plunger housing control valve 02 complete	
7170043	Deksel Omschakelplunjer besturingsventiel 02 compleet	Cover for switching piston control valve 02 complete	
7170044	Deksel bedienplunjer besturingsventiel 02 (arretering) compleet	Head for operation plunger housing control valve 02 (detent) complete	
7171103	Bronzen bus (B-bediening) incl. afstrijker	Bronze bush (B-operation)	
7177005	Plunjer omschakel L.= 146 mm / D.= 35 mm compleet	Switching plunger L.=146 mm. [5.7"] / D.= 35 mm. [1.4"] complete	
7177007	Koppelstang B-bediening ø16 (M10/M12) compleet	Connection rod B-operation ø16 (M10/M12) complete	
7317001	A-plug	Plug A	
7317004	Plug G02 t.b.v. B-bediening	Plug G02 for B-control	
7354005	Handvat (rubber)	Handle (rubber)	
7354006	Stalen dop 70x70	Steel cap 70x70	
7370101	Drukstift drukbegrenzingsventiel	Pressure cartridge pressure control valve	
7371051	Beschermkap besturingsventiel 02 (compleet)	Cover for control valve 02 (complete)	
7376009	Afdichtingset besturingsventiel 02 compleet	Seals for control valve 02 complete	
7398007	Hendel oog (besturingsventiel 02)	Control handle eye (control valve 02)	
7398008	Koker met S-arretering (besturingsventiel 02)	Tube with S-detent (control valve 02)	
7677004	Bedienplunjer L.= 195 mm. / D.= 25 mm. compleet	Operation plunger L.= 195 mm. / D.= 25 mm. complete	
70171.4	Minimess plug (0-225 Bar)	Minimess plug (0-225 Bar)	