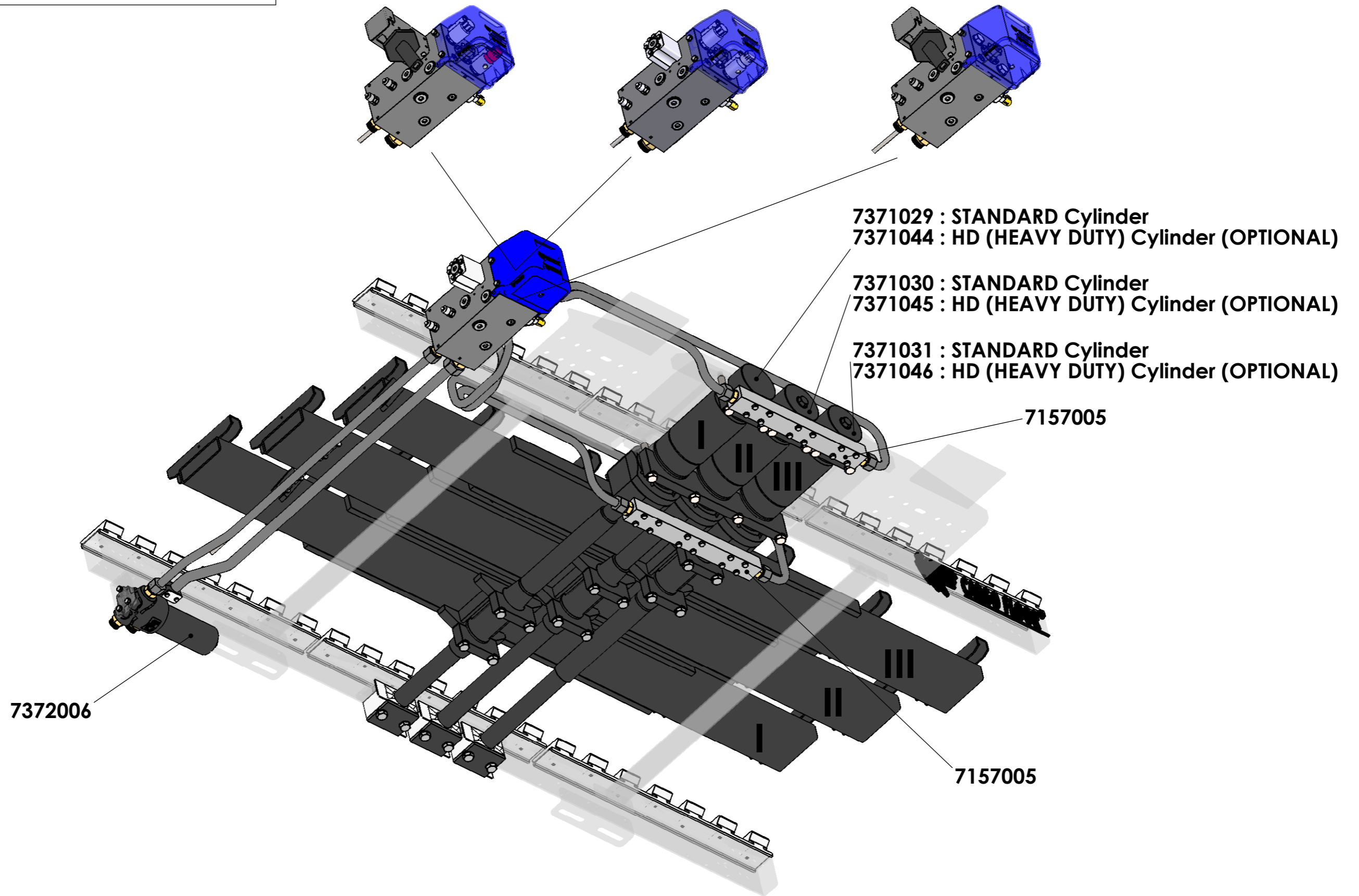


FOR INFORMATION ONLY !

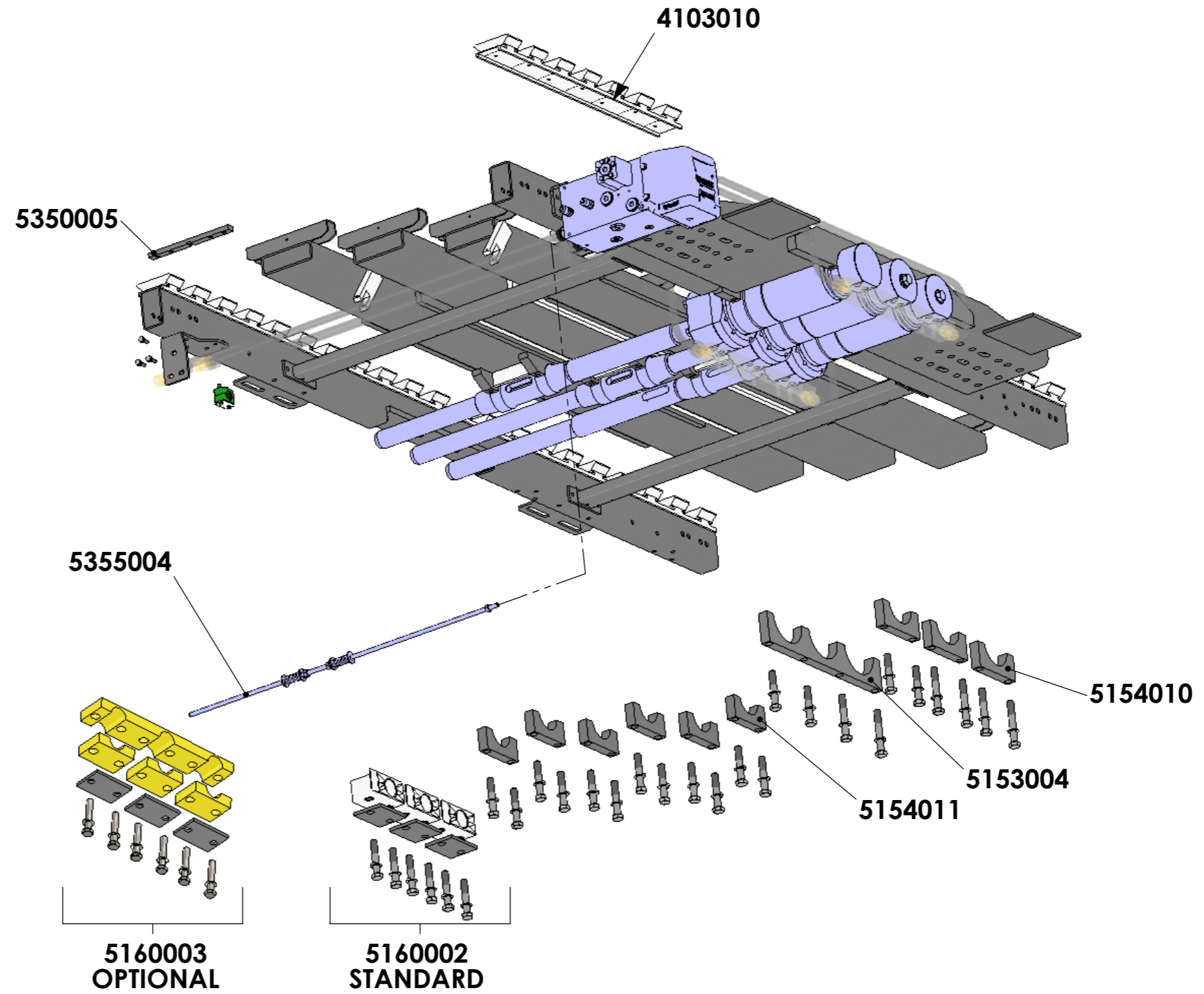
B-valve: Page 5,6

E-valve: Page 7,8

A-valve: Page 9,10



ART. NR. ART. NO.	SAMENSTELLING PAGINA 1 BENAMING	ASSEMBLY PAGE 1 DESCRIPTION	
7157005	Common rail A compleet	Common rail A complete	
7371029	Hydraulische cilinder CF500 SL-C nr. 1 inclusief bevestigingsmateriaal.	Hydraulic cylinder CF500 SL-C no. 1 with fasteningmaterials.	
7371030	Hydraulische cilinder CF500 SL-C nr. 2 inclusief bevestigingsmateriaal.	Hydraulic cylinder CF500 SL-C no. 2 with fasteningmaterials.	
7371031	Hydraulische cilinder CF500 SL-C nr. 3 inclusief bevestigingsmateriaal.	Hydraulic cylinder CF500 SL-C no. 3 with fasteningmaterials.	
7371044	Hydraulische cilinder CF500 SL-C nr. 1 HD inclusief bevestigingsmateriaal.	Hydraulic cylinder CF500 SLC no. 1 HD with fasteningmaterials.	
7371045	Hydraulische cilinder CF500 SL-C nr. 2 HD inclusief bevestigingsmateriaal.	Hydraulic cylinder CF500 SLC no. 2 HD with fasteningmaterials.	
7371046	Hydraulische cilinder CF500 SL-C nr. 3 HD inclusief bevestigingsmateriaal.	Hydraulic cylinder CF500 SLC no. 3 HD with fasteningmaterials.	
7372006	Filterset Cargo Floor (compleet)	Filterset Cargo Floor complete	



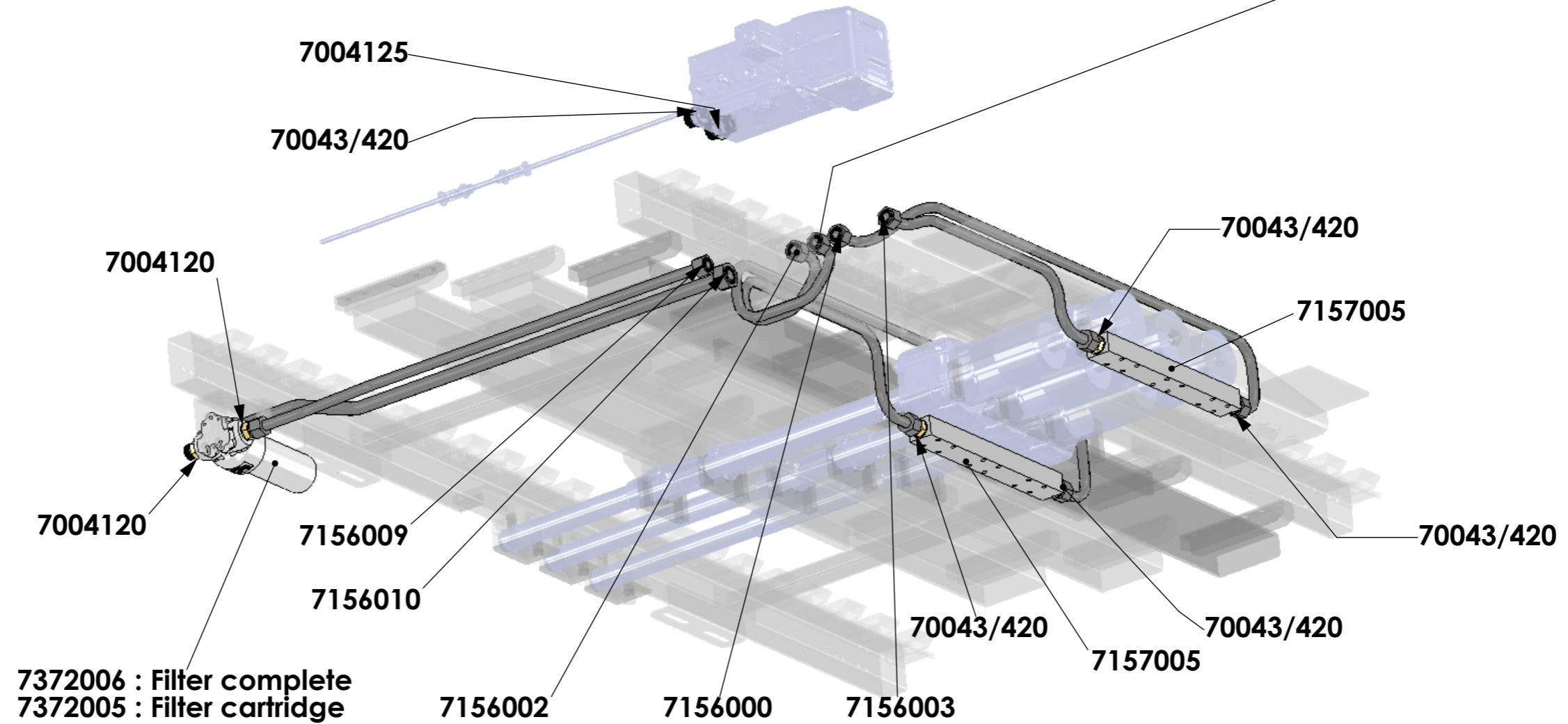
ART. NR. ART. NO.	ZUIGERSTANGGELEIDING & CILINDERKLEMBEUGELS PAGINA 2 BENAMING	PISTON ROD GUIDANCE & CYLINDER CLAMPING PLATES PAGE 1 DESCRIPTION	
4103010	Kunststofkam 7/112 H32mm (wit)	Plastic bearing strip 7/112 [4.41"] height 32 mm. [1.26"] (white)	
5153004	Klembeugel (3-voudig) compleet	Clamping plate (triple), complete	
5154010	Klembeugel cilinder (ø94mm) compleet	Clamping plate for cylinder (ø94mm) complete	
5154011	Klembeugel cilinderhof (ø74mm) compleet	Clamping plate for cylinder sleeve (ø74mm) complete	
5160002	Cilinderstanggeleidingsset compleet (CF300 / CF500)	Set Guide blocks for 3 piston rods complete (CF300 / CF500)	
5160003	Cilinderstanggeleidingsset CF300 / CF500 compleet, massieve uitvoering	Set Guide blocks for 3 piston rods CF300 / CF500 complete, solid execution	
5350005	Montagestrip (6x M12/240 mm.)	Assembly strip (6x M12/240 mm.)	
5355004	Draadstang compleet (925 mm.)	Threaded rod complete (925 mm.)	

FOR INFORMATION ONLY !

Attention: 7156001



Replacement part for pipe 2,
this part differs from the original pipe.



Cargo Floor B.V.
Byte 14
NL-7741 MK Coevorden
Phone : +31-524-593900
E-mail : info@cargo-floor.com

Project: **EXPLODED VIEWS CF500 SL-C**

Subject: **CF500 SL-C piping & filter**

Date: 7-2-2014

Drawn: SK

Drw. nr.:

EV50000-CF-223

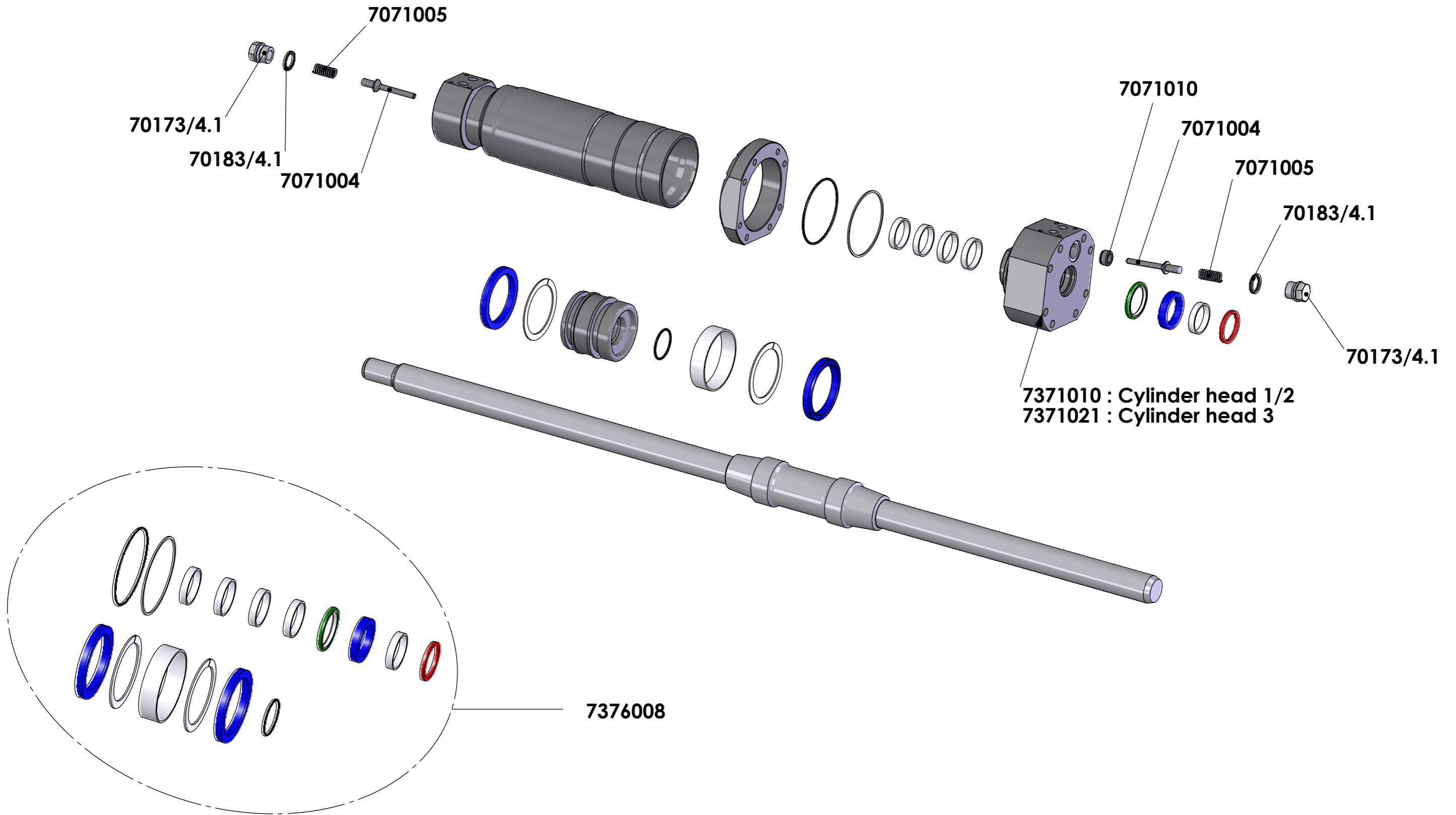
A3

This drawing and the information contained herein is for general presentation purposes only.
This drawing is not intended for use on engineering plans and can be used as "as-is".
This drawing is the property of Cargo Floor B.V. and must not be copied or reproduced without their written authority.

Page 3

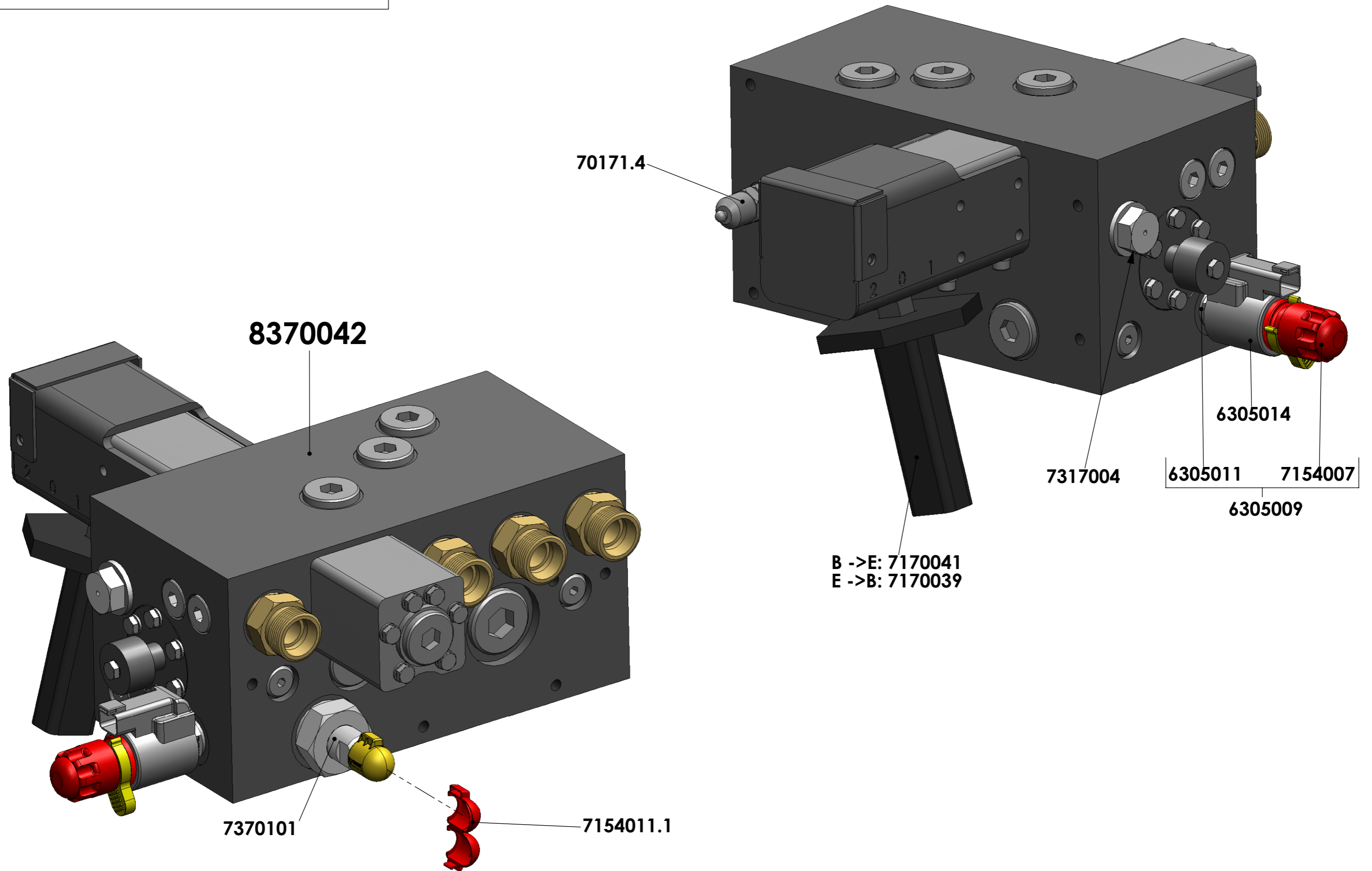
ART. NR. ART. NO.	LEIDINGEN EN FILTERS PAGINA 3 BENAMING	PIPING AND FILTERS PAGE 1 DESCRIPTION	
7004120	Rechte inschroefkoppeling 1" x 20 mm	Straigth screw-in coupling 1" x 20 mm	
7004125	Rechte inschroefkoppeling 1" x 25 mm	Straight screw-in coupling 1" x 25 mm	
7156000	Hydraulische leiding nr. 1 (besturingsventiel 02) compleet	Hydraulic pipe no. 1 (control valve 02) complete	
7156001	Hydraulische leiding nr. 2 (besturingsventiel 02) compleet	Hydraulic pipe no. 2 (control valve 02) complete	
7156002	Hydraulische leiding nr. 3 (besturingsventiel 02) compleet	Hydraulic pipe no. 3 (control valve 02) complete	
7156003	Hydraulische leiding nr. 4 (besturingsventiel 02) compleet	Hydraulic pipe no. 4 (control valve 02) complete	
7156009	Hydraulische leiding nr. 5 (besturingsventiel 02/SL-C) compleet	Hydraulic pipe no. 5 (control valve 02/SL-C) complete	
7156010	Hydraulische leiding nr. 6 (besturingsventiel 02/SL-C) compleet	Hydraulic pipe no. 6 (control valve 02/SL-C) complete	
7157005	Common rail A compleet	Common rail A complete	
7372005	CF Filterelement (04/2005 - ...), inclusief pakkingset	CF Filter element (04/2005 - ...)	
7372006	Filterset Cargo Floor (compleet)	Filterset Cargo Floor complete	
70043/420	Rechte inschroefkoppeling 3/4" x 20 mm.	Straight screw-in coupling 3/4" x 20 mm.	

FOR INFORMATION ONLY !



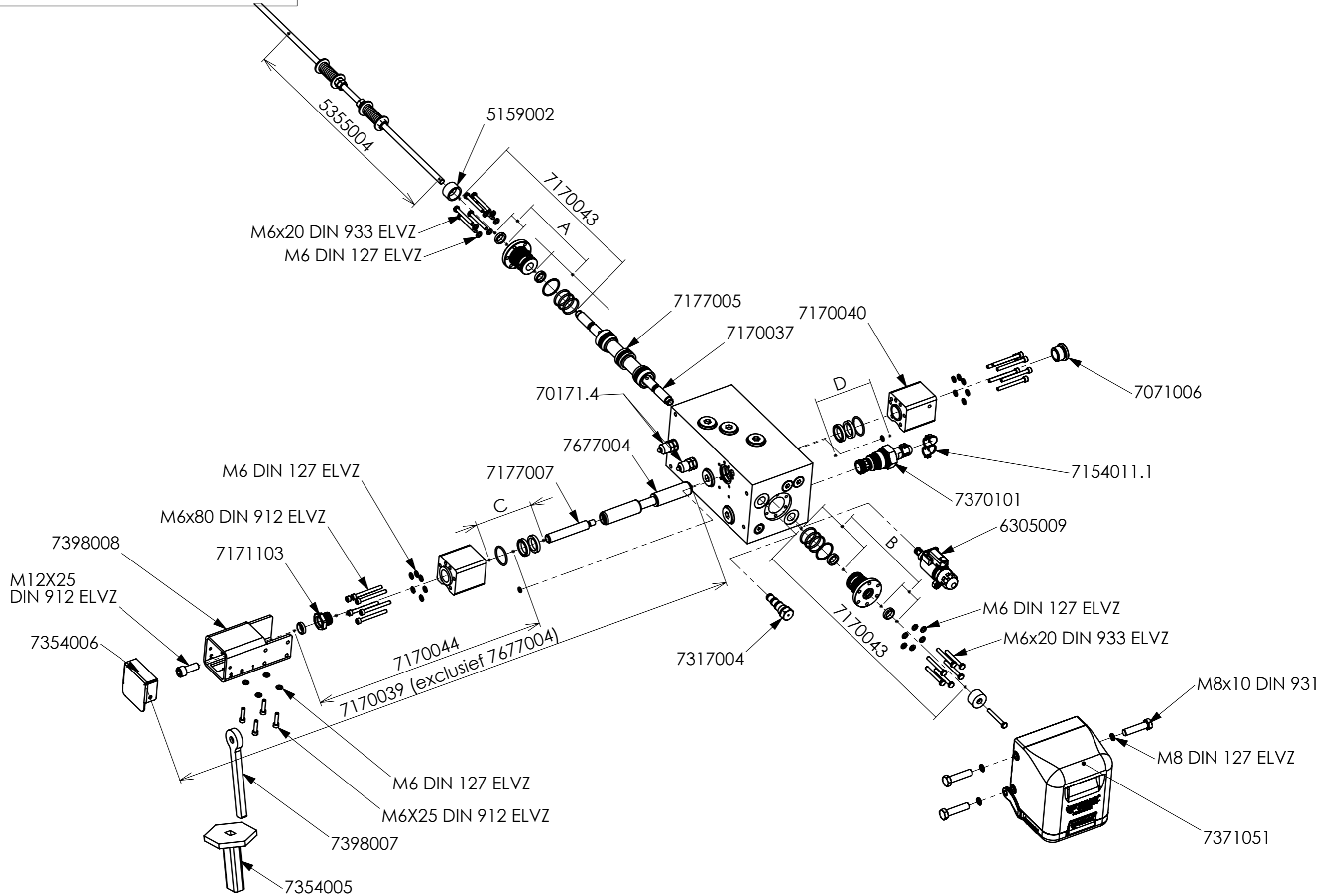
ART. NR. ART. NO.	CILINDER PAGINA 4 BENAMING	CYLINDER PAGE 1 DESCRIPTION	
7071004	Klep cilinder	Valve for cylinder	
7071005	Veer terugslagklep	Spring for cylinder-valve	
7071010	klepzitting cilinder (voldraad)	Valve seat cylinder (full thread)	
7371010	Cilinderdeksel nr.1 / 2 (alu.) incl. afdichtingen en klep	Cylinder head no. 1 / 2 (alu.) incl. seals and valve	
7371021	Cilinderdeksel nr. 3 (alu.) incl. afdichtingen	Cylinder head no. 3 (alu.) incl. seals	
7376008	Afdichtingset cilinder compleet (CF500)	Set seals for cylinder complete (CF500)	
70173/4.1	Kraagplug 3/4 (hol)	Plug 3/4 for valve spring (hollow)	
70183/4.1	Bonded seal 3/4" (afgedraaid)	Bonded seal 3/4 (machined)	

FOR INFORMATION ONLY !



ART. NR. ART. NO.	BESTURINGSVENTIEL "B" BEDIENING PAGINA 5 BENAMING	CONTROL VALVE B-OPERATION PAGE 1 DESCRIPTION	
6305009	Magneet + stift 24V Cargo Floor (GS02) (inc. rode noodbediening)	Cartridge + solenoid 24 V. Cargo Floor (GS02) (incl. red emergency control)	
6305011	Stift Cargo Floor (GS02) (inc. rode noodbediening)	Cartridge Cargo Floor (GS02) (incl. red emergency control)	
6305014	Magneet Cargo Floor G(+GS)02 24V	Solenoid Cargo Floor G(+GS)02 24V	
7154007	Kunststof noodhandbediening GS02	Plastic emergency manual control GS02	
7154011.1	Zegeldop voor DB ventiel (rood) – spare part	Seal cap for pressure safety valve (red) - spare part	
7170039	Ombouwset besturingsventiel E->B inclusief arretering	Modification kit control valve E->B including detent	
7170041	Ombouwset besturingsventiel B->E	Modification kit control valve B->E	
7317004	Plug G02 t.b.v. B-bediening	Plug G02 for B-control	
7370101	Drukstift drukkbezigingsventiel	Pressure cartridge pressure control valve	
8370042	Besturingsventiel 02 B-bediend (compleet)	Control valve 02 B-operation (complete)	
70171.4	Minimess plug (0-225 Bar)	Minimess plug (0-225 Bar)	

FOR INFORMATION ONLY!



A+B+C+D=7376009



Cargo Floor B.V.
Byte 14
NL-7741 MK Coevorden
Phone : +31-524-593900
E-mail : info@cargo-floor.com

Project: **EXPLODED VIEWS CF500 SLC**

Subject: **Control valve B-operation**

Date: 28-02-2019

Drawn: SK

Drw. nr.: **EV50000-CF-226**

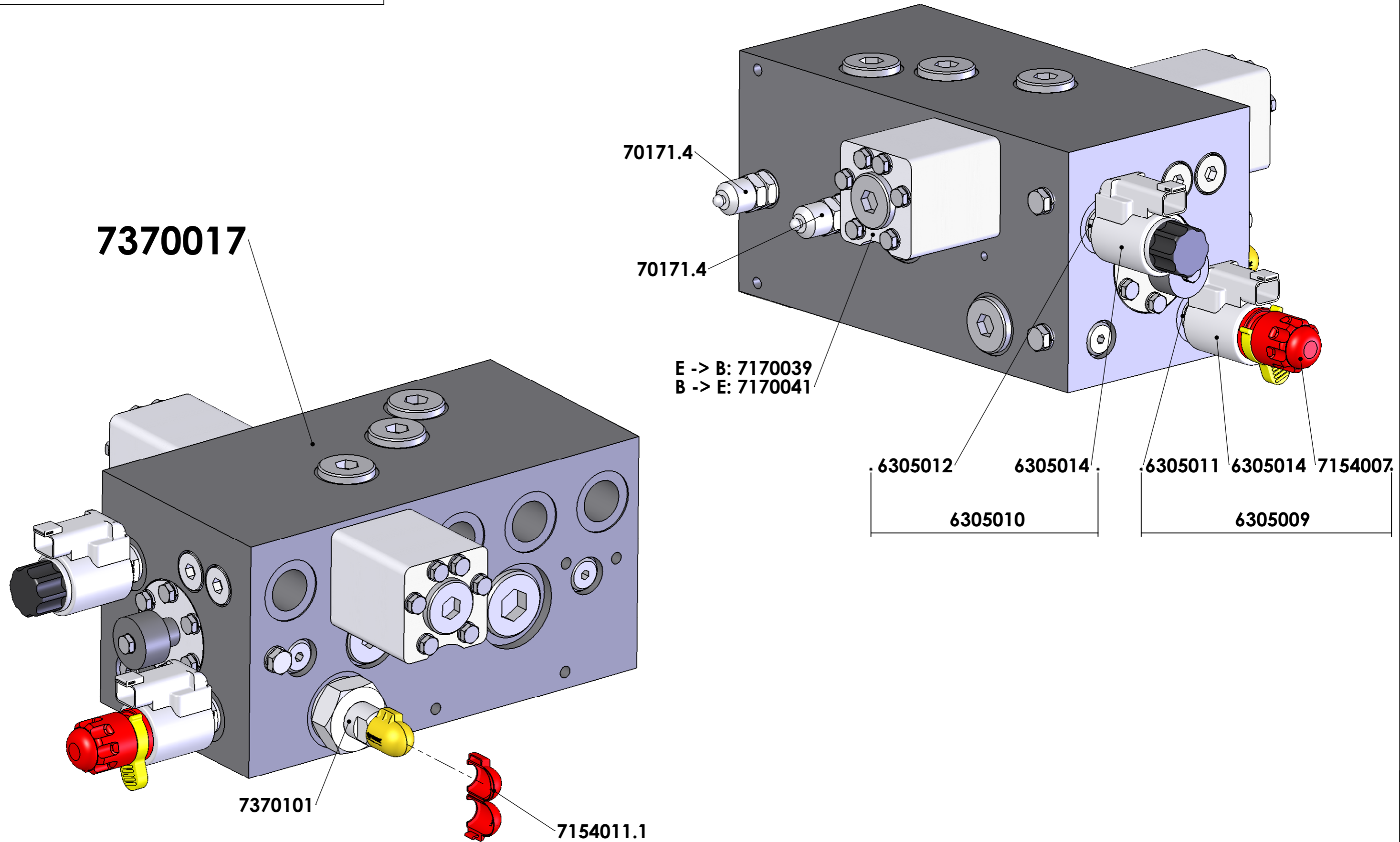
A3

This drawing and the information contained herein is for general presentation purposes only.
This drawing is not intended for use on engineering plans and can be used as "as-is".
This drawing is the property of Cargo Floor B.V. and must not be copied or reproduced without their written authority.

Page 6

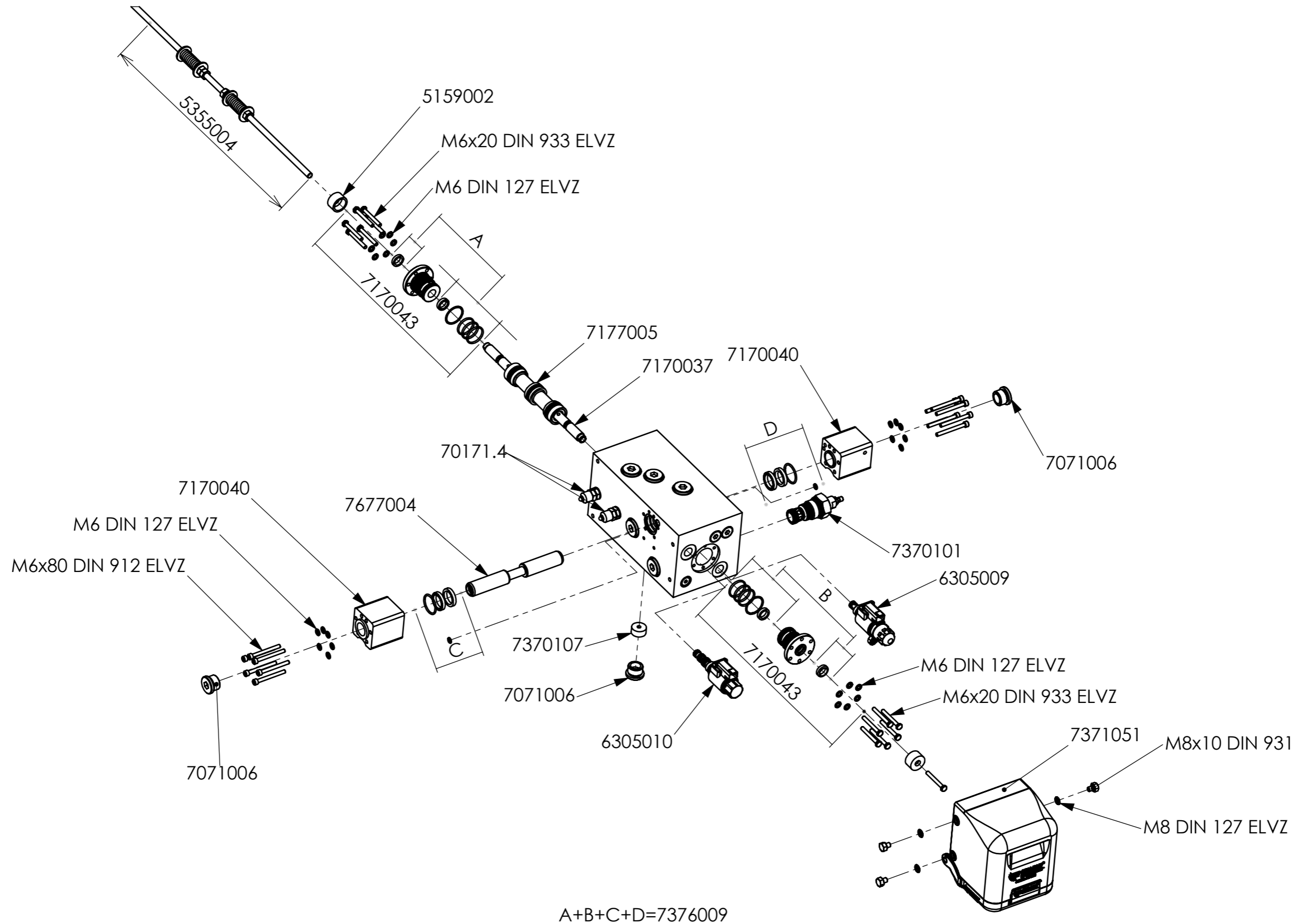
ART. NR. ART. NO.	BESTURINGSVENTIEL "B" BEDIENING PAGINA 6 BENAMING	CONTROL VALVE B-OPERATION PAGE 1 DESCRIPTION	
5159002	Afstandsring rond 30 (omschakelventiel)	Distance ring round 30 (switching valve)	
5355004	Draadstang compleet (925 mm.)	Threaded rod complete (925 mm.)	
6305009	Magneet + stift 24V Cargo Floor (GS02) (inc. rode noodbediening)	Cartridge + solenoid 24 V. Cargo Floor (GS02) (incl. red emergency control)	
7071006	Inbus kraagplug 3/4 incl. dichting	socket plug 3/4" with O-ring	
7154011.1	Zegeldop voor DB ventiel (rood) – spare part	Seal cap for pressure safety valve (red) - spare part	
7170037	Voorstuur omschakelplunjer L.= 306 mm. / D.= 16 mm compleet	Pre-steering switching plunger L.= 306 mm. [12"] / D.= 16 mm. [0.6"] complete	
7170039	Ombouwset besturingsventiel E->B inclusief arretering	Modification kit control valve E->B including detent	
7170040	Deksel Bedienplunjer besturingsventiel 02 compleet	Head for operation plunger housing control valve 02 complete	
7170043	Deksel Omschakelplunjer besturingsventiel 02 compleet	Cover for switching piston control valve 02 complete	
7170044	Deksel bedienplunjer besturingsventiel 02 (arretering) compleet	Head for operation plunger housing control valve 02 (detent) complete	
7171103	Bronzen bus (B-bediening) incl. afstrijker	Bronze bush (B-operation)	
7177005	Plunjer omschakel L.= 146 mm. / D.= 35 mm. compleet	Switching plunger L.=146 mm. [5.7"] / D.= 35 mm. [1.4"] complete	
7177007	Koppelstang B-bediening ø16 (M10/M12) compleet	Connection rod B-operation ø16 (M10/M12) complete	
7317004	Plug G02 t.b.v. B-bediening	Plug G02 for B-control	
7354005	Handvat (rubber)	Handle (rubber)	
7354006	Stalen dop 70x70	Steel cap 70x70	
7370101	Drukstift drukkbegrenzingsventiel	Pressure cartridge pressure control valve	
7371051	Beschermkap besturingsventiel 02 (compleet)	Cover for control valve 02 (complete)	
7376009	Afdichtingset besturingsventiel 02 compleet	Seals for control valve 02 complete	
7398007	Hendel oog (besturingsventiel 02)	Control handle eye (control valve 02)	
7398008	Koker met S-arretering (besturingsventiel 02)	Tube with S-detent (control valve 02)	
7677004	Bedienplunjer L.= 195 mm. / D.= 25 mm. compleet	Operation plunger L.= 195 mm. / D.= 25 mm. complete	
70171.4	Minimes plug (0-225 Bar)	Minimes plug (0-225 Bar)	

FOR INFORMATION ONLY !



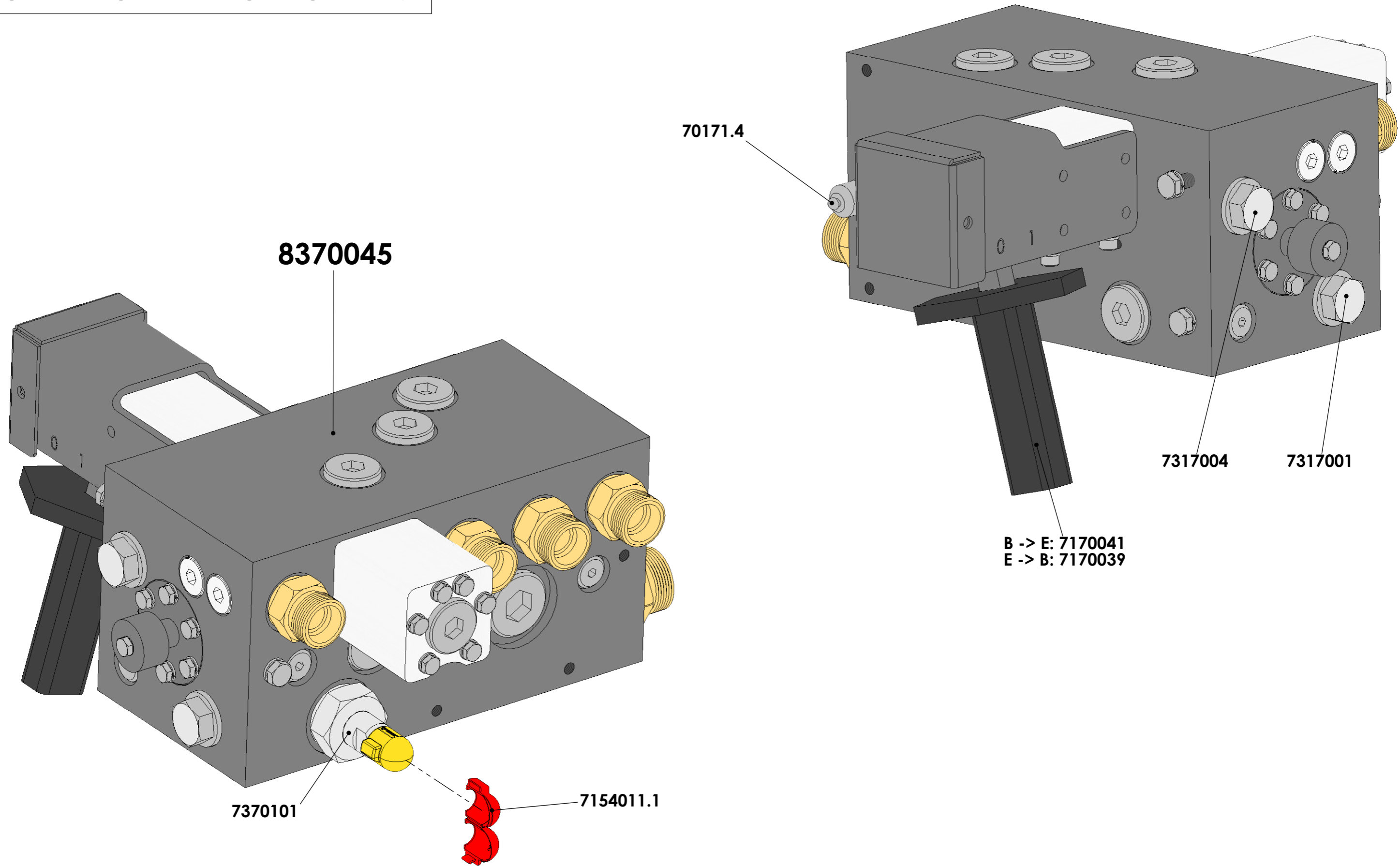
ART. NR. ART. NO.	BESTURINGSVENTIEL "E" BEDIENING PAGINA 7 BENAMING	CONTROL VALVE E-OPERATION PAGE 1 DESCRIPTION	
6305009	Magneet + stift 24V Cargo Floor (GS02) (inc. rode noodbediening)	Cartridge + solenoid 24 V. Cargo Floor (GS02) (incl. red emergency control)	
6305010	Magneet + stift 24V Cargo Floor (G02)	Cartridge + solenoid 24 V. Cargo Floor (G02)	
6305011	Stift Cargo Floor (GS02) (inc. rode noodbediening)	Cartridge Cargo Floor (GS02) (incl. red emergency control)	
6305012	Stift Cargo Floor (G02)	Cartridge Cargo Floor (G02)	
6305014	Magneet Cargo Floor G(+GS)02 24V	Solenoid Cargo Floor G(+GS)02 24V	
7154007	Kunststof noodhandbediening GS02	Plastic emergency manual control GS02	
7154011.1	Zegeldop voor DB ventiel (rood) – spare part	Seal cap for pressure safety valve (red) - spare part	
7170039	Ombouwset besturingsventiel E->B inclusief arretering	Modification kit control valve E->B including detent	
7170041	Ombouwset besturingsventiel B->E	Modification kit control valve B->E	
7370017	Besturingsventiel 02 E-bediend (compleet)	Control valve 02 E-operation (complete)	
7370101	Drukstift drukbegrenzingsventiel	Pressure cartridge pressure control valve	
70171.4	Minimess plug (0-225 Bar)	Minimess plug (0-225 Bar)	

FOR INFORMATION ONLY !



ART. NR. ART. NO.	BESTURINGSVENTIEL "E" BEDIENING PAGINA 8 BENAMING	CONTROL VALVE E-OPERATION PAGE 1 DESCRIPTION	
5159002	Afstandsring rond 30 (omschakelventiel)	Distance ring round 30 (switching valve)	
5355004	Draadstang compleet (925 mm.)	Threaded rod complete (925 mm.)	
6305009	Magneet + stift 24V Cargo Floor (GS02) (inc. rode noodbediening)	Cartridge + solenoid 24 V. Cargo Floor (GS02) (incl. red emergency control)	
6305010	Magneet + stift 24V Cargo Floor (G02)	Cartridge + solenoid 24 V. Cargo Floor (G02)	
7071006	Inbus kraagplug 3/4 incl. dichting	socket plug 3/4" with O-ring	
7170037	Voorstuur omschakelplunjer L.= 306 mm. / D.= 16 mm compleet	Pre-steering switching plunger L.= 306 mm. [12"] / D.= 16 mm. [0.6"] complete	
7170040	Deksel Bedienplunjer besturingsventiel 02 compleet	Head for operation plunger housing control valve 02 complete	
7170043	Deksel Omschakelplunjer besturingsventiel 02 compleet	Cover for switching piston control valve 02 complete	
7177005	Plunjer omschakel L.= 146 mm. / D.= 35 mm. compleet	Switching plunger L.=146 mm. [5.7"] / D.= 35 mm. [1.4"] complete	
7370101	Drukstift drukkbelegingsventiel	Pressure cartridge pressure control valve	
7370107	Drossel ø6.5 mm (besturingsventiel 02)	Choke ø6.5 mm (control valve 02)	
7371051	Beschermkap besturingsventiel 02 (compleet)	Cover for control valve 02 (complete)	
7376009	Afdichtingset besturingsventiel 02 compleet	Seals for control valve 02 complete	
7677004	Bedienplunjer L.= 195 mm. / D.= 25 mm. compleet	Operation plunger L.= 195 mm. / D.= 25 mm. complete	
70171.4	Minimess plug (0-225 Bar)	Minimess plug (0-225 Bar)	

FOR INFORMATION ONLY !



ART. NR. ART. NO.	BESTURINGSVENTIEL "A" BEDIENING PAGINA 9 BENAMING	CONTROL VALVE A-OPERATION PAGE 1 DESCRIPTION	
7154011.1	Zegeldop voor DB ventiel (rood) – spare part	Seal cap for pressure safety valve (red) - spare part	
7170039	Ombouwset besturingsventiel E->B inclusief arretering	Modification kit control valve E->B including detent	
7170041	Ombouwset besturingsventiel B->E	Modification kit control valve B->E	
7317001	A-plug	Plug A	
7317004	Plug G02 t.b.v. B-bediening	Plug G02 for B-control	
7370101	Drukstift drukkbezigingsventiel	Pressure cartridge pressure control valve	
8370045	Besturingsventiel 02 A-bediend (compleet)	Control valve 02 A-operation (complete)	
70171.4	Minimess plug (0-225 Bar)	Minimess plug (0-225 Bar)	

ART. NR. ART. NO.	BESTURINGSVENTIEL "A" BEDIENING PAGINA 10 BENAMING	CONTROL VALVE A-OPERATION PAGE 1 DESCRIPTION	
5159002	Afstandsring rond 30 (omschakelventiel)	Distance ring round 30 (switching valve)	
5355004	Draadstang compleet (925 mm.)	Threaded rod complete (925 mm.)	
7071006	Inbus kraagplug 3/4 incl. dichting	socket plug 3/4" with O-ring	
7154011.1	Zegeldop voor DB ventiel (rood) – spare part	Seal cap for pressure safety valve (red) - spare part	
7170037	Voorstuur omschakelplunjer L.= 306 mm. / D.= 16 mm compleet	Pre-steering switching plunger L.= 306 mm. [12"] / D.= 16 mm. [0.6"] complete	
7170039	Ombouwset besturingsventiel E->B inclusief arretering	Modification kit control valve E->B including detent	
7170040	Deksel Bedienplunjer besturingsventiel 02 compleet	Head for operation plunger housing control valve 02 complete	
7170043	Deksel Omschakelplunjer besturingsventiel 02 compleet	Cover for switching piston control valve 02 complete	
7170044	Deksel bedienplunjer besturingsventiel 02 (arretering) compleet	Head for operation plunger housing control valve 02 (detent) complete	
7171103	Bronzen bus (B-bediening) incl. afstrijker	Bronze bush (B-operation)	
7177005	Plunjer omschakel L.= 146 mm. / D.= 35 mm. compleet	Switching plunger L.=146 mm. [5.7"] / D.= 35 mm. [1.4"] complete	
7177007	Koppelstang B-bediening ø16 (M10/M12) compleet	Connection rod B-operation ø16 (M10/M12) complete	
7317001	A-plug	Plug A	
7317004	Plug G02 t.b.v. B-bediening	Plug G02 for B-control	
7354005	Handvat (rubber)	Handle (rubber)	
7354006	Stalen dop 70x70	Steel cap 70x70	
7370101	Drukstift drukkbelegingsventiel	Pressure cartridge pressure control valve	
7371051	Beschermkap besturingsventiel 02 (compleet)	Cover for control valve 02 (complete)	
7376009	Afdichtingset besturingsventiel 02 compleet	Seals for control valve 02 complete	
7398007	Hendel oog (besturingsventiel 02)	Control handle eye (control valve 02)	
7398008	Koker met S-arretering (besturingsventiel 02)	Tube with S-detent (control valve 02)	
7677004	Bedienplunjer L.= 195 mm. / D.= 25 mm. compleet	Operation plunger L.= 195 mm. / D.= 25 mm. complete	
70171.4	Minimess plug (0-225 Bar)	Minimess plug (0-225 Bar)	