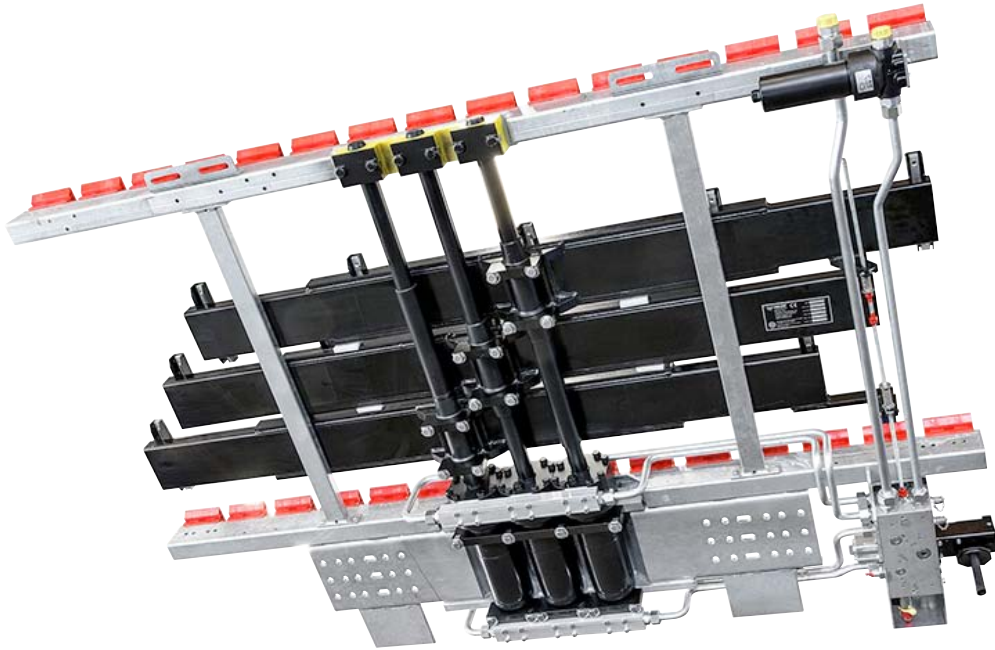




Subject: **Cargo Bulk mover**
Type : **CF500 SL-C 15/156,8**



New Cargo Floor concept for the transport of mainly loose products: the Cargo Bulkmover!

Weight reduction

In order to reduce weight in a safe and reliable way Cargo Floor has developed an alternative floor: an execution which has 15 floor profiles instead of the usual 21. The total moving floor surface is exactly equal to the the 21 moving floor profiles, because of which no adjustment of the side profile is needed.

Mainly for loose product

Because the floor profiles of the Cargo Bulkmover are wider than the standard 21 floor profile execution this concept is not suitable for the loading and unloading of pallets and paper reels with the help of the floor movement of the Cargo Floor system. Off course pallets eg. can be loaded - and unloaded - by driving a hand pallet truck or fork lift truck over the floor. More than 20 years of experience with the wide floor profiles, mainly in stationary factory applications, has proven that the 15 floor profile version of the Cargo Floor system is extremely suitable for the efficient unloading of most common loose products in large volumes.



Cargo Bulkmove = 15 Moving Floor profiles

Bearing and stability

In order to create enough stability and bearing a special bearing has been developed on the basis of the patented Cargo Twister principle. This means that a fast and simple mounting without tools remains guaranteed. An extra advantage of the Cargo Bulkmove is that no less than 30% less bearings have to be mounted. This bearing – “the Cargo Twister Wide 40/25” - has as characteristics a wide and large bearing surface. Also the “Cargo Twister Wide 40/25” has two virtual integrated tubes, which create more stability at both sides of the bearing.

The sub deck is constructed out of 15 tubes 40x25x2 mm. (is not part of the Cargo Floor scope of supply), which next to support of the bearing also guarantees the stability of the trailer construction. On this tube the “Cargo Twister Wide 40/25” is mounted on top of every cross member intersection.

Next to the “Cargo Twister Wide 40/25” the “Special Bearing Wide 40/25” has been developed, which optionally – as extra bearing and support – can be mounted between the “Twister Wide” on the tube 40/24. This “Cargo Special Bearing Wide 40/25” can also be used in the up side down position as anti lifting in order to prevent the floor profiles rising.



Characteristics of the 15 floor profile Cargo Bulkmove concept:

- Weight advantage for the complete trailer; depending on the execution at least 50 kg. and can go up to 300 kg.
- 30% less seams between the floor profiles; possible leakage and wear substantially decreases;
- 30% less seal between the floor profiles. Also the seal is very well protected from the product transported;
- 30% less mounting time for the sub floor construction, floor profiles and bearing;
- Increased stability of the floor profiles because of the “Cargo Twister Wide 40/25” bearing with very wide bearing surface and support on three spots;
- Very large bearing surface, because of which less wear;
- Less wear;
- Larger bearing and sliding surface of the “Cargo Twister Wide 40/25” (+7%);
- Bearing does not come into contact with the transported product (no extra wear) and is protected against spattering street dirt by the floor profile;
- Floor width is identical to the standard 21 floor profile execution; no need to adjust the side profile;
- All hydraulic components: cylinders, valves, are identical to the CF500 SL-C 21 floor profile system;
- Suitable for the Power Speed execution: unloading in +/- 3 min. (ask about the requirements);
- Various floor profiles available, among which a special HD and ultimate XHDI version for the transport of all kinds of waste: glass, sand eg.
- Very clean discharge
- Suitable for all types of Cargo Floor drive units;
- Extreme long durability;
- Robust and very stable;
- No maintenance required;
- Absolutely lower cost of ownership
- 30% less work if a floor revision needs to be done and turning the floor is a lot easier;
- Pallets, paper reels eg: only loading / unloading with the help of a fork lift truck or pallet wagon.

Fork-lift truck

In principle all Cargo Floor floors can be driven on by a fork-lift truck; contact your body builder for information about the permitted weights!

Efficiency/output

Efficiency of loading and unloading (packed) cargo is determined mainly by the flatness and the even weight distribution of the cargo over the floor area of the Cargo Floor. Uneven weight distribution will reduce efficiency and may even cause the cargo to only move back and forth within the power stroke of the system. Uneven cargo weight distribution can be compensated by using supports to spread the weight evenly across the floor profiles.

The system's operating speed can also affect loading and unloading efficiency.



Available floorprofiles

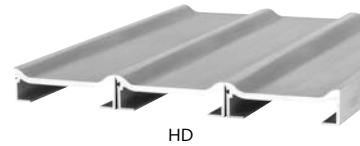
Standaard



Alu profiel 6/156,8mm glad
(art.nr. 77.4915)

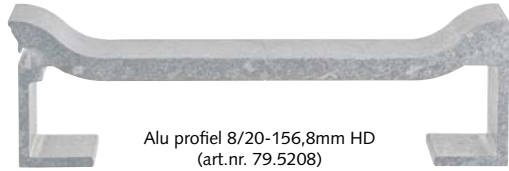


Alu profiel 10/156,8mm glad
(art.nr. 775.5109)

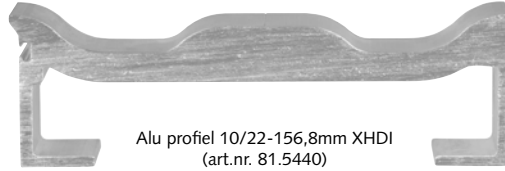


HD

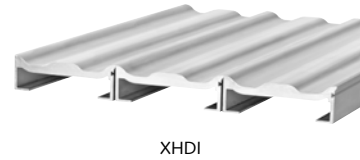
Special "waste" and "heavy duty" applications



Alu profiel 8/20-156,8mm HD
(art.nr. 79.5208)



Alu profiel 10/22-156,8mm XHDI
(art.nr. 81.5440)



XHDI

LR-serie (leak resist) & LP-serie (100% leak proof)



Alu 7/133 Leak Proof
deckslat standaard
(art.nr. 891.4460)



Alu 10/133 Leak Proof
deckslat HD (heavy duty)
(art.nr. 89.3497)



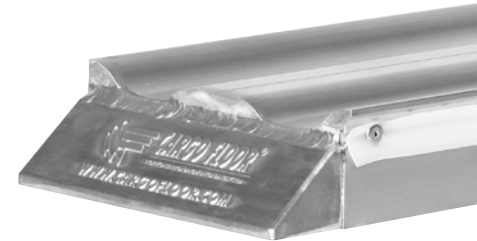
Alu 8/160mm Leak Proof T subdeck
(art.nr. 871.5177)

The Cargo Bulkmoveer is suitable for the transport of:

- bulk materials
- wood chippings
- sawdust
- bark
- logs of wood
- potting soil
- peat
- clay
- bleaching earth
- straw
- straw bales
- maize
- grain
- potatoes
- carrots
- tapioca
- milk powder
- coffee beans
- soybeans
- alfalfa
- sugar beet and pulp
- poultry feed
- manure
- fertilizer
- salt
- chalk
- coal
- used paper
- aluminium scrap
- domestic waste
- cargo (bales/bags)
- big bags
- slaughter waste
- sewage sludge
- compressed bales
- etc.



Cargo Roller
(art.nr. 5165003)



Twister Wide & Special bearing wide (anti lifting)



CARGO FLOOR®

HORIZONTAL LOADING-/UNLOADINGSYSTEM

Cargo Floor B.V.

Byte 14
7741 MK COEVORDEN
Holland
Telefoon +31 (0)524-59 39 00
Telefax +31 (0)524-59 39 99
www.cargofloor.com
E-mail: info@cargofloor.com



ISO 9001 - 2008
Certified company

**WORLDWIDE
SERVICE NETWORK**